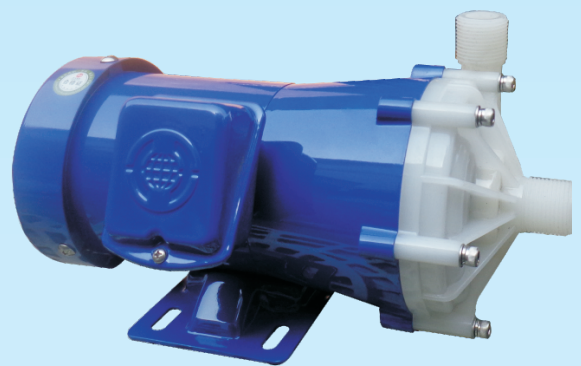




ME SERIES

無軸封磁力耐酸鹼泵浦

NON SHAFT SEAL MAGNETIC PUMP



CAPACITY:0.8-5.9m³/h

型號說明 MODEL IDENTIFICATION

ME P 70 R P C E 3

1

2

3

4

5

6

7

8

1.機型編號 Model

ME-磁力驅動泵 Magnetic drive pump

2.泵體材質 Pump Body

P-PP(可以省略) F-PVDF E-CFRETFE

3.馬力 Horsepower

40-65W 55-90W 70-180W 100-260W

4.接口方式 Interface Type

R-插管式 Bayonet F-法蘭式 Flange

M-外牙式 Male

5.止推環材質 Thrust Ring

S-SSIC P-PTFE+CARBON K-PEEK

6.軸芯材質 Spindle

S-SSIC C-CERAMIC T-TI

7.密封材質 Seal

E-EPDM V-VITON N-NBR

8.相數 Phase

1-單相 Single-phase (110V/220V)

3-三相 Three-phase (220V/380V)

ME SERIES

無軸封磁力耐酸鹼泵浦

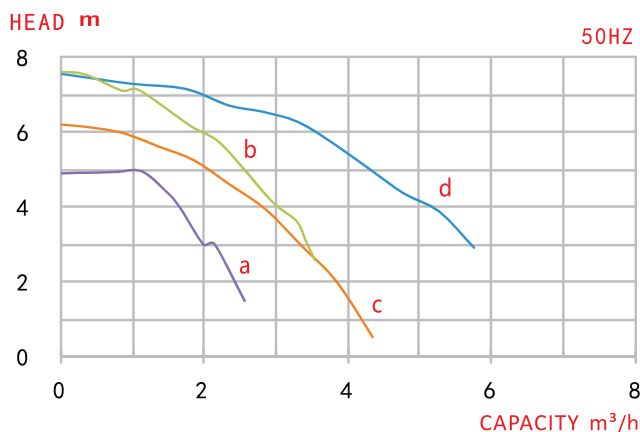
▶ 特點及優點

1. 泵體採用FRPP/PVDF材質射出成型，依藥液酸鹼度不同選取材質。
2. 適用溫度:FRPP-65°C/PVDF-90°C以下。
3. 磁力同步驅動，無軸封無接觸摩擦，功耗小效率高，避免介質洩漏。
4. 裝配簡易，結構精巧性能高，可輕易拆卸組裝更換零配件。
5. 用途廣泛，PCB製程，化學工業，過濾循環，蝕刻，電鍍，表面處理，污水處理等。

Features and benefits

1. The pump is made by injection molding of FRPP/PVDF material. The material is selected according to the PH value of the liquid.
2. Applicable temperature: Below 65°C for FRPP, below 90°C for PVDF.
3. Magnetic synchronous movement, no shaft seal, no contact friction, low power consumption, high efficiency, avoiding the media leakage.
4. Easy assembling, sophisticated structure, high performance, easy to disassemble and replace the spare parts and accessories.
5. Extensive use in PCB process, chemical industry, filtration cycle, etching, electroplating, surface treatment, sewage treatment and so on.

▶ 性能曲線圖 Performance curve graph



▶ 規格表 Specifications

測試介質: 清水 / 比重: 1.0

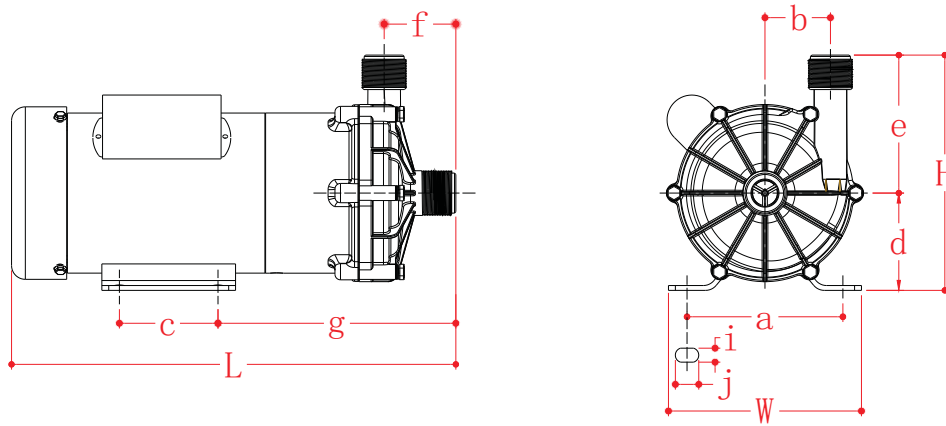
Test medium: Water / Proportion: 1.0

型式Model	□徑 Diameter (In-out)	動力Power			曲線 Curve	50HZ		重量 Weight (kg)
		相數 Phase (Φ)	極數 Pole (P)	功率 Power (w)		流量 Capacity (m³/h)	揚程 Head (m)	
ME 40	3/4"x3/4"	1	2	65	a	0.8	5.0	4.5
						1.6	4.0	
						2.0	3.0	
ME 55	1"x1"	1	2	90	b	0.8	7.0	6.0
						1.6	6.0	
						3.2	3.5	
ME 70	1"x1"	1or3	2	180	c	0.8	6.0	8.0
						1.6	5.0	
						3.2	3.0	
ME 100	1"x1"	1or3	2	260	d	1.6	7.5	9.5
						3.2	6.5	
						5.9	3.0	

ME SERIES

無軸封磁力耐酸鹼泵浦

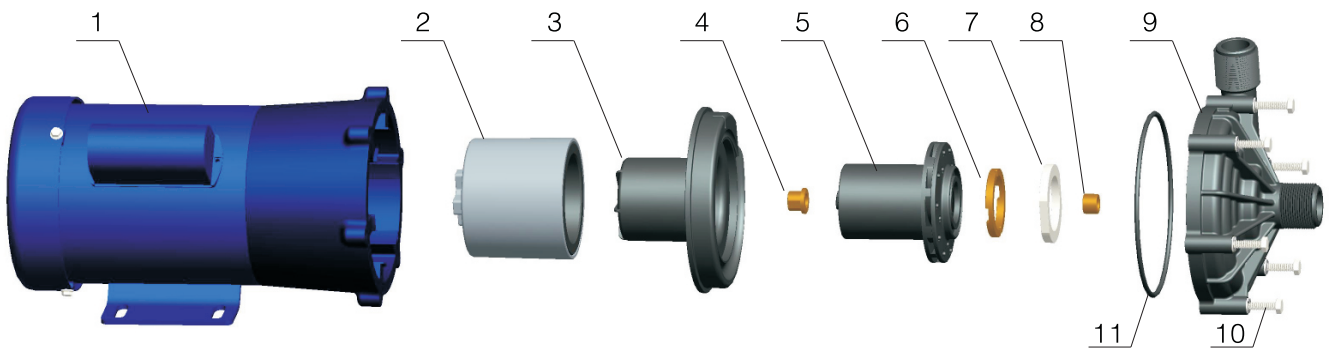
尺寸圖 Dimensions



Unit:mm

型式Model	L	W	H	a	b	c	d	e	f	g	i	j
ME 40	285	120	135	100	31	40	65	70	48	153	7	9
ME 55	315	124	148	100	45	40	65	83	60	172	7	9
ME 70	278	130	155	110	48	40	65	90	51	155	9	27
ME 100	360	156	175	110	51	70	75	100	65	230	9	27

零件圖表 Parts chart



NO. 名稱 PARTS

1. 電機 Motor
2. 驅動磁 Drive Magnetic
3. 後蓋 Rear Cover
4. 後止推環 Rear Thrust Ring

NO. 名稱 PARTS

5. 葉輪 Impeller
6. 前止推環 Front Thrust Ring
7. 耐磨片 Mouth Ring
8. 軸套 Shaft Sleeve

NO. 名稱 PARTS

9. 前蓋 Front Cover
10. 螺絲組 Screw Parts
11. 前蓋O環 Front Cover O-ring