

CB06-18

化學藥液過濾機

CHEMICAL LIQUID FILTER

► 特點及優點

1. 化學藥液循環過濾，PCB、電鍍、化工、皮革、染整、廢水處理等行業。
2. 效率高，操作簡單，清洗容易。
3. 主體桶採用PP材料一體射出成型，堅固耐用、不洩漏、耐高溫及耐酸鹼。
4. 濾材組立式設計，各部件更換容易，並可根據客戶要求隨時更換。
5. 泵浦可採用自吸式泵和無軸封磁力泵等多種選擇。
6. 獨特內循環管及檢測口，有效地攪拌助濾粉及碳粉、測定平均表面壓力及取樣測定，可預防漏碳，確保精密過濾質量。
7. 標準配備：底閥、法蘭及法蘭墊片，PVC 螺絲，SUS螺絲。

► Features and benefits

1. Chemical liquid circulation filtering, PCB, electroplating, chemical, leather, dyeing and finishing, wastewater treatment and other industries.
2. High efficiency, easy to operate and clean.
3. The filter body is made by the injection molding of the PP material, which is more durable, resistant to high temperature and acid and alkaline, without leakage.
4. Vertical design of the filter material assembly makes the components easily be replaced at any time according to customer requirements.
5. Self-priming pump and magnetic pump without shaft seal and others are all optional.
6. Unique internal circulation pipes and detection ports, effectively stirring the filtering-aid powder and the carbon dust and measuring the average surface pressure and sampling can prevent leakage and ensure the quality of precision filtration.
7. Standard accessories: foot valve, flange and flange gasket, PVC screws and SUS screws.



型號說明 MODEL IDENTIFICATION

CB 2018 KD P 50 3 2 F E D

1 2 3 4 5 6 7 8 9 10 11

1. 機型編號 Model

C-一體成型過濾機 Integrated filter

2. 濾材形式 Filter Type

B-濾芯鎖螺型 Lock filter element type

H-濾芯壓板型 Pressure filter element type

P-濾紙型 Filter paper type

K-楊桃濾布型 Bellow filter cloth type

3. 濾材規格 Filter Specifications

濾芯(Core): 2018-20inch(長度)X18支(數量)(Length X Quantity)

2006-20"X6pcs

2008-20"X8pcs

2012-20"X12pcs

2018-20"X18pcs

3018-30"X18pcs

濾紙(Paper): 2333-23cm(直徑)X33片(數量)(Diameter X Quantity)

2333-23cmX33pcs

3033-30cmX33pcs

3740-37cmX40pcs

濾片(Disc): 4524-45cm(長度)X24片(數量)(Length X Quantity)

4524-45cmX24pcs

5928-59cmX28pcs

CB06-18

化學藥液過濾機

4. 泵浦型式 Pump Type

ME-磁力泵 Magnetic Pump
 KD-自吸泵 Self-priming Pump
 KDN-自吸泵 Self-priming Pump
 MED-非自吸式 Non Self-priming Pump

5. 泵體材質 Pump Body

P-PP F-PVDF

6. 出入口徑 Inlet And Outlet Diameter

40-1-1/2" 50-2"

7. 泵浦馬力 Pump Power

1-1HP 2-2HP 3-3HP 5-5HP

8. 極數 Pole

2-2P

9. 出入口形式 Outlet And Inlet Type

U-由任式 Union F-法蘭式 Flange

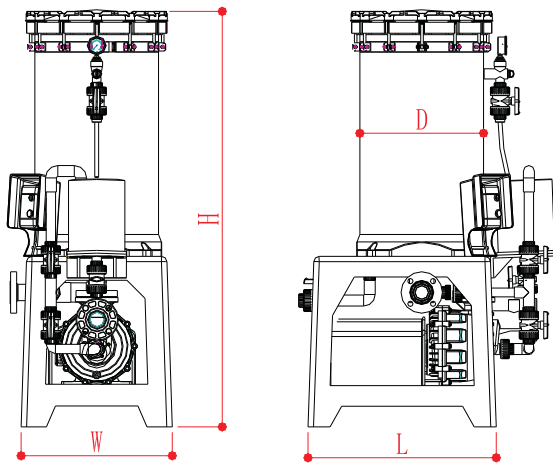
10. 密封材質 Seal

E-EPDM V-VITON N-NBR

11. 出入口標準 Outlet And Inlet Specifications

J-JIS D-DIN A-ANSI

尺寸圖 Dimensions



型式Model	L	W	H	D
CB2006	680.0	400.0	1460.0	280.0
CH2006				
CP2333	680.0	455.0	1490.0	315.0
CB2008				
CH2008	680.0	455.0	1490.0	350.0
CP3033				
CK4524	680.0	455.0	1490.0	350.0
CB2012				
CH2012	700.0	560.0	1525.0	450.0
CP3740			1540.0	
CK5928	700.0	560.0	1800.0	450.0
CH2018				
CB2018	700.0	560.0	1800.0	450.0
CB3018				
CH3018				

規格表 Specifications

型式Model	濾材Filter Material	過濾面積 Filter Area (m ²)	過濾量Filter Capacity (l/min)	適合電鍍槽 Plating Tank Volume(l)	適用溫度 Temperature (≤°C)	泵浦功率 Pump Power(HP)	口徑Diameter (in-out)inch	機器重量 Weight(kg)
CB2006	20"x6pcs	1.5	160.0	1-2	65	1	1.5"x1.5"	70
CH2006	20"x6pcs	1.5	160.0	1-2	65	1	1.5"x1.5"	69
CP2333	Φ23cm"x33pcs	1.37	240.0	1-3	65	1	1.5"x1.5"	80
CB2008	20"x8pcs	2	240.0	1-3	65	1	1.5"x1.5"	78
CH2008	20"x8pcs	2	240.0	2-4	65	1	1.5"x1.5"	77
CP3033	Φ30cm"x33pcs	2.47	330.0	2-4	65	2	1.5"x1.5"	96
CK4524	L45CMx24pcs	2.64	330.0	2-4	65	2	1.5"x1.5"	95
CB2012	20"x12pcs	3	330.0	2-4	65	2	1.5"x1.5"	92
CH2012	20"x12pcs	3	330.0	2-4	65	2	1.5"x1.5"	91
CP3740	Φ37cm"x40pcs	4.3	375.0	4-6	65	3	2"x2"	120
CK5928	L59CMx28pcs	4.8	375.0	4-6	65	3	2"x2"	119
CH2018	20"x18pcs	4.5	375.0	4-6	65	3	2"x2"	115
CB2018	20"x18pcs	4.5	375.0	4-6	65	3	2"x2"	114
CH3018	30"x18pcs	6.75	450.0	6-8	65	5	2"x2"	136
CB3018	30"x18pcs	6.75	450.0	6-8	65	5	2"x2"	137