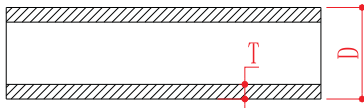


PIPE, VALVES & ACCESSORIES

管閥與配件

一、管道系列PIPE(UPVC CPVC PPH)

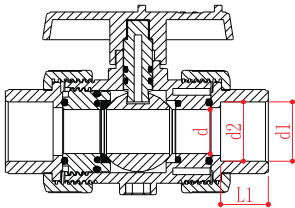
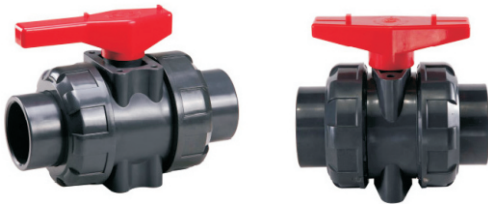
▶ UPVC/CPVC管道PIPE(SCH80 SCH40 DIN)



Nominal SIZE	Socket Type							
	D	Toleran	Tolerance	SCH80 T(min/mm)	SCH40 T(min/mm)	DIN		
						D	Tolera	T(min/mm)
1/2"	21.34	+0.10	+0.51	3.73	2.77	20	+0.2	2.30
3/4"	26.67	+0.10	+0.51	3.91	2.87	25	+0.2	2.80
1"	33.40	+0.13	+0.53	4.55	3.38	32	+0.2	3.00
1-1/4"	42.16	+0.13	+0.58	4.85	3.56	40	+0.2	3.60
1-1/2"	48.26	+0.15	+0.61	5.08	3.68	50	+0.2	3.70
2"	60.32	+0.15	+0.66	5.54	3.91	63	+0.3	4.70
2-1/2"	73.02	+0.18	+0.84	7.01	5.16	75	+0.3	5.60
3"	88.90	+0.20	+0.91	7.62	5.49	90	+0.3	6.70
4"	114.30	+0.23	+1.02	8.56	6.02	110	+0.4	8.10
5"	141.30	+0.25	+1.14	9.52	6.55	140	+0.5	10.30
6"	168.28	+0.28	+1.32	10.97	7.11	160	+0.5	11.80
8"	219.08	+0.38	+1.52	12.70	8.18	200	+0.7	14.70

二、閥門系列VALVE(UPVC CPVC PPH)

▶ 雙由任球閥Double-unit ball valve(UPVC CPVC PPH)

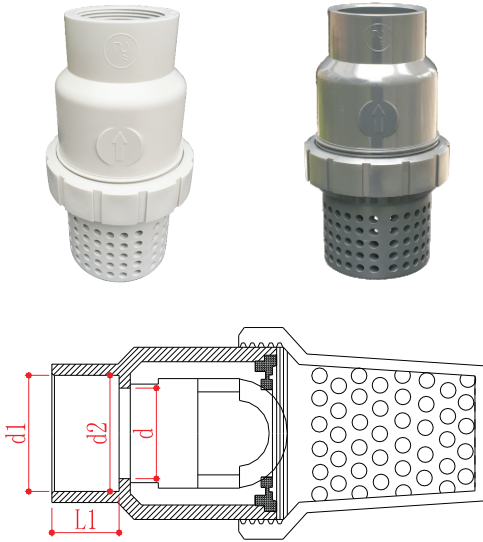


SIZE	d	d1		d2		L1
		DIN	JIS	DIN	JIS	
1/2"(15)	15.00	20.25	22.30	20.05	21.85	23.00
3/4"(20)	20.00	25.25	26.30	25.05	25.80	26.00
1"(25)	25.00	32.25	32.33	32.05	31.85	29.00
1-1/4"(32)	32.00	40.25	38.43	40.05	37.85	33.00
1-1/2"(40)	40.00	50.25	48.46	50.05	47.75	35.50
2"(50)	50.00	63.25	60.56	63.05	59.75	38.50
2-1/2"(65)	63.00	75.25	76.60	75.05	75.87	64.50
3"(80)	75.00	90.35	89.60	90.05	88.83	70.00
4"(100)	90.00	110.36	114.70	110.05	113.98	84.00

PIPE, VALVES & ACCESSORIES

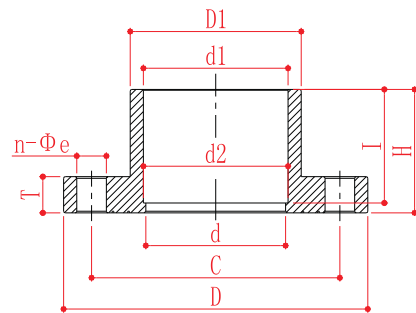
管閥與配件

▶ 底閥 FOOT VALVE (UPVC CPVC PPH)



SIZE	d	d1		d2		L1
		DIN	JIS	DIN	JIS	
1/2"(15)	15.00	20.25	22.30	20.05	21.85	23.00
3/4"(20)	20.00	25.25	26.30	25.05	25.80	26.00
1"(25)	25.00	32.25	32.33	32.05	31.85	29.00
1-1/4"(32)	32.00	40.25	38.43	40.05	37.85	33.00
1-1/2"(40)	40.00	50.25	48.46	50.05	47.75	35.50
2"(50)	50.00	63.25	60.56	63.05	59.75	38.50
2-1/2"(65)	63.00	75.25	76.60	75.05	75.87	64.50
3"(80)	75.00	90.35	89.60	90.05	88.83	70.00
4"(100)	90.00	110.36	114.70	109.9	113.98	84.00

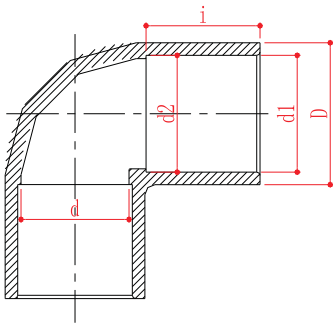
▶ 單片法蘭 Flange (UPVC CPVC PPH)



SIZE	D	D1	C		d	d1		d2		H	T	I	n-Φe	
			DIN	JIS		DIN	JIS	DIN	JIS				DIN	JIS
1/2"	95	32	65	70	15	20.30	23.00	20.10	21.78	35.0	14.0	32.0	4-15	4-15
3/4"	105	35	75	75	20	25.30	26.00	25.10	25.70	40.0	15.0	37.0	4-15	4-15
1"	125	42	85	90	25	32.30	29.00	32.10	31.67	45.0	16.0	40.0	4-19	4-19
1-1/4"	140	52	100	100	32	40.30	33.00	40.10	37.57	49.0	16.0	44.0	4-19	4-19
1-1/2"	150	62	110	105	43	50.30	35.50	50.10	47.54	59.0	18.0	54.0	4-19	4-19
2"	165	76	125	120	55	63.30	38.50	63.10	59.44	66.0	20.0	61.0	4-19	4-19
2-1/2"	185	90	145	140	65	75.00	64.50	75.10	75.90	70.0	22.0	61.0	4-19	4-19
3"	200	108	160	150	80	90.30	70.00	90.10	88.86	73.0	22.0	64.5	8-19	8-19
4"	220	132	180	175	100	110.40	84.00	110.10	113.80	93.0	22.0	83.5	8-19	8-19
5"	250	162	210	210	125	140.50	140.39	140.20	139.80	114.0	24.0	103.0	8-19	8-19
6"	285	187	240	240	150	160.50	165.98	160.20	164.80	142.0	26.0	130.0	8-23	8-23

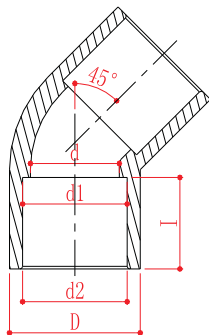
三、配件系列 Accessories series UPVC/CPVC FITTING 國標管件(GB)

▶ 90° 彎頭 (90° ELBOW)



Nominal SIZE	Socket Type			Structural Diameter	
	d1	d2	i	D	d
1/2"	20.30	20.10	16.00	27.00	17.00
3/4"	25.30	25.10	19.00	33.00	23.00
1"	32.30	32.10	22.00	41.00	29.00
1-1/4"	40.30	40.10	26.00	50.00	37.00
1-1/2"	50.30	50.10	32.00	61.00	47.00
2"	63.30	63.10	38.00	75.00	60.00
2-1/2"	75.30	75.10	44.00	92.00	72.00
3"	90.30	90.10	51.00	110.60	87.10
4"	110.40	110.10	61.00	127.00	106.10
5"	140.50	140.10	77.00	162.00	133.00
6"	160.50	160.20	86.00	186.00	154.00
8"	200.60	200.20	130.00	240.00	185.00

▶ 45° 彎頭 (45° ELBOW)

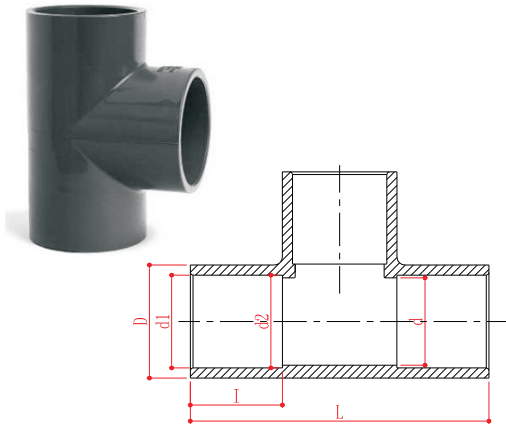


Nominal SIZE	Socket Type			Structural Diameter	
	d1	d2	i	D	d
1/2"	20.30	20.10	16.00	27.00	17.00
3/4"	25.30	25.10	19.00	33.00	23.00
1"	32.30	32.10	22.00	41.00	29.00
1-1/4"	40.30	40.10	26.00	50.00	37.00
1-1/2"	50.30	50.10	32.00	61.00	47.00
2"	63.30	63.10	38.00	75.00	60.00
2-1/2"	75.30	75.10	44.00	92.00	72.00
3"	90.30	90.10	51.00	110.60	87.10
4"	110.40	110.10	61.00	127.00	106.10
5"	140.50	140.10	77.00	162.00	133.00
6"	160.50	160.20	86.00	186.00	154.00
8"	200.60	200.20	130.00	240.00	185.00

PIPE, VALVES & ACCESSORIES

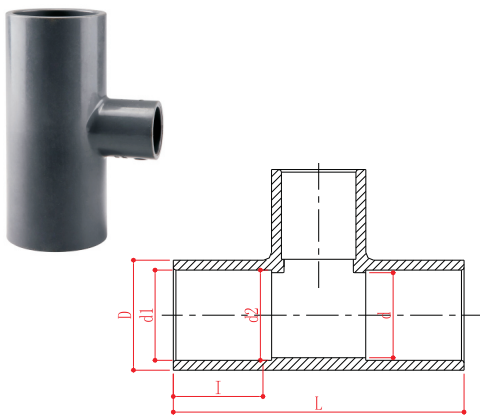
管閥與配件

▶ 正三通 Tee



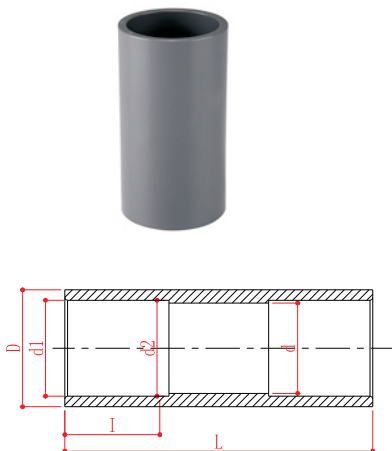
Nominal	Socket Type			Structural Diameter		
SIZE	d1	d2	l	D	d	L
1/2"	20.30	20.10	16.00	27.00	17.00	56.00
3/4"	25.30	25.10	19.00	33.00	23.00	66.00
1"	32.30	32.10	22.00	41.00	29.00	80.00
1-1/4"	40.30	40.10	26.00	50.00	37.00	96.00
1-1/2"	50.30	50.10	32.00	61.00	47.00	118.00
2"	63.30	63.10	38.00	75.00	60.00	143.00
2-1/2"	75.30	75.10	44.00	92.00	72.00	171.00
3"	90.30	90.10	51.00	110.60	87.10	197.00
4"	110.40	110.10	61.00	127.00	106.10	238.00
5"	140.50	140.10	77.00	162.00	133.00	307.00
6"	160.50	160.20	86.00	186.00	154.00	338.00
8"	200.60	200.20	130.00	240.00	185.00	540.00

▶ 異徑三通 Reducer tee



Nominal	Socket Type			Structural Diameter		
SIZE	d1	d2	i	D	d	L
3/4"x1/2"	25.30	25.10	19.00	33.00	23.00	66.00
1"x3/4"	32.30	32.10	22.00	41.00	29.00	80.00
1-1/4"x1"	40.30	40.10	26.00	50.00	37.00	96.00
1-1/2"x1-1/4"	50.30	50.10	31.00	61.00	47.00	118.00
2"x1-1/2"	63.30	63.10	38.00	75.00	60.00	143.00
2-1/2"x2"	75.30	75.10	44.00	92.00	72.00	171.00
3"x2-1/2"	90.30	90.10	51.00	110.00	87.00	197.00
4"x3"	110.40	110.10	61.00	127.00	106.10	238.00

▶ 直接頭 Straight joint

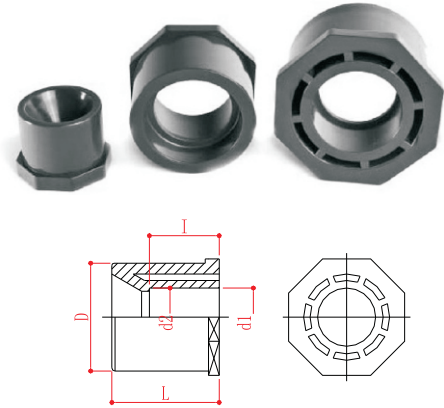


Nominal	Socket Type			Structural Diameter		
SIZE	d1	d2	l	D	d	L
1/2"	20.30	20.10	16.00	27.00	17.00	36.00
3/4"	25.30	25.10	19.00	33.00	23.00	52.00
1"	32.30	32.10	22.00	41.00	29.00	52.00
1-1/4"	40.30	40.10	26.00	50.00	37.00	60.00
1-1/2"	50.30	50.10	32.00	61.00	47.00	68.00
2"	63.30	63.10	38.00	75.00	60.00	80.00
2-1/2"	75.30	75.10	44.00	92.00	72.00	92.00
3"	90.30	90.10	51.00	110.60	87.10	107.00
4"	110.40	110.10	61.00	127.00	106.10	128.00
5"	140.50	140.10	77.00	162.00	133.00	162.00
6"	160.50	160.20	86.00	186.00	154.00	180.00
8"	200.60	200.20	130.00	240.00	185.00	310.00

PIPE, VALVES & ACCESSORIES

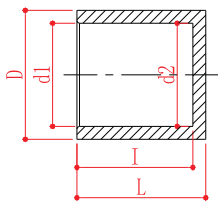
管閥與配件

▶ 異徑直通 Reducer coupling



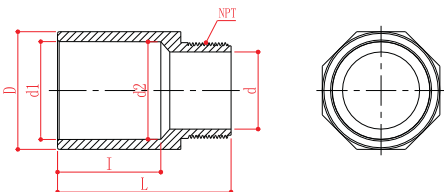
Nominal SIZE	Outside dia D	Socket Type		Structural	
		d1	d2	I	L
3/4"X1/2"	25.00	20.30	20.1	16.00	20.00
1"X3/4"	32.00	25.30	25.1	20.00	24.00
1-1/4"X1"	40.00	32.30	32.1	23.00	28.00
1-1/2"X1-1/4"	50.00	40.30	40.1	28.00	32.00
2"X1-1/2"	63.00	50.30	50.1	32.00	38.00
2-1/2"X2"	75.00	63.30	60.1	38.00	42.00
3"X2"	90.00	63.30	60.1	38.00	61.00
3"X2-1/2"	90.00	75.30	75.1	45.00	61.00
4"X2"	110.00	63.30	60.1	38.00	73.00
4"X3"	110.00	90.30	90.1	51.00	73.00

▶ 管帽 Pipe cap



Nominal SIZE	Outside dia D	Socket Type		Structural	
		d1	d2	I	L
1/2"	27.00	20.30	20.10	16.00	20.00
3/4"	32.00	25.30	25.10	20.00	20.00
1"	40.00	32.30	32.10	24.00	24.00
1-1/4"	50.00	40.30	40.10	28.00	28.00
1-1/2"	63.00	50.30	50.10	32.00	32.00
2"	75.00	63.30	63.10	38.00	38.00
2-1/2"	92.00	75.30	75.10	47.00	47.00
3"	110.00	90.30	90.10	52.50	52.50
4"	133.00	110.40	110.10	63.00	63.00
6"	186.00	160.50	160.20	86.00	86.00
8"	186.00	225.70	225.30	130.00	130.00

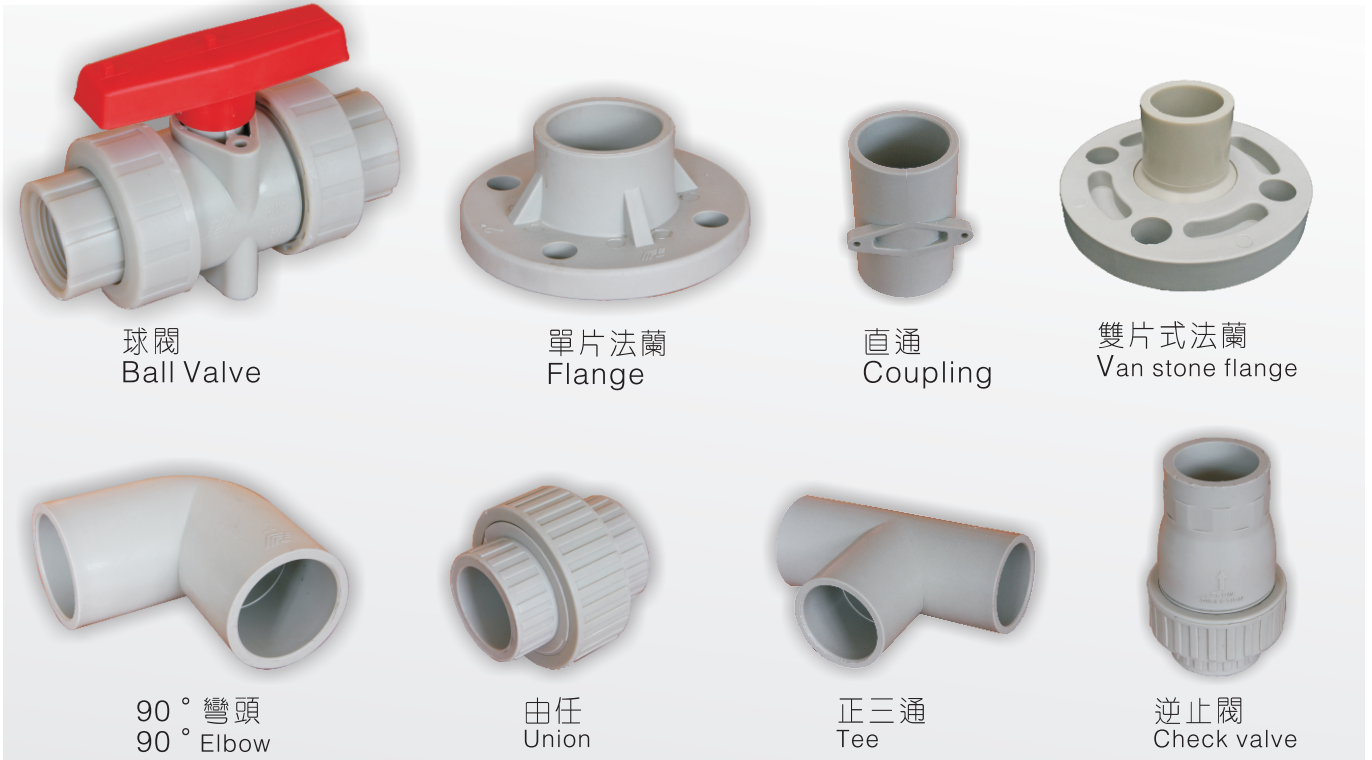
▶ 外牙接頭 Male



Nominal SIZE	Outside dia D	Socket Type		Structural			
		d1	d2	I	d	L	NPT(牙寸)
1/2"	30.00	20.30	20.10	16.00	13.20	50.00	14.00
3/4"	35.00	25.30	25.10	19.00	19.00	50.50	14.00
1"	44.00	32.30	32.10	22.00	24.00	59.00	11.00
1-1/4"	54.00	40.30	40.10	26.00	32.00	63.40	11.00
1-1/2"	60.00	50.30	50.10	32.00	38.00	67.00	11.00
2"	73.00	63.30	63.10	38.00	73.00	73.00	11.00

PIPE, VALVES & ACCESSORIES 管閥與配件

▶ PP管閥配件 Pipes, Valves, Accessories



球閥
Ball Valve

單片法蘭
Flange

直通
Coupling

雙片式法蘭
Van stone flange

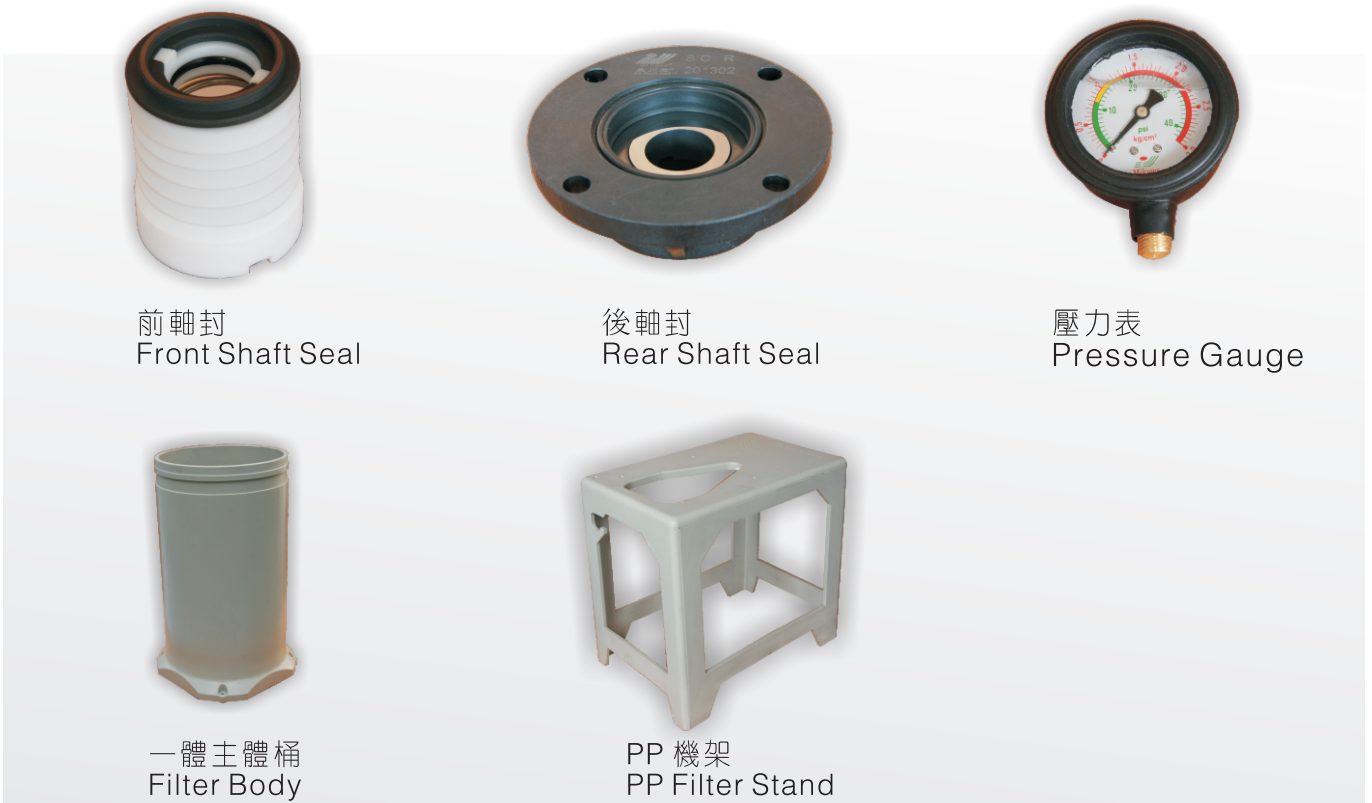
90° 彎頭
90° Elbow

由任
Union

正三通
Tee

逆止閥
Check valve

▶ 其它配件 Other accessories



前軸封
Front Shaft Seal

後軸封
Rear Shaft Seal

壓力表
Pressure Gauge

一體主體桶
Filter Body

PP 機架
PP Filter Stand