

CB2024/CP4245

化學藥液過濾機

CHEMICAL LIQUID FILTER

► 特點及優點

- 1.化學藥液循環過濾，PCB、電鍍、化工、皮革、染整、廢水處理等行業。
- 2.效率高，操作簡單，清洗容易。
- 3.主體桶採用PP材料一體射出成型，堅固耐用、不洩漏、耐高溫及耐酸鹼。
- 4.濾材組立式設計，各部件更換容易，並可根據客戶要求隨時更換。
- 5.泵浦可採用自吸式泵和無軸封磁力泵等多種選擇。
- 6.獨特內循環管及檢測口，有效地攪拌助濾粉及碳粉、測定平均表面壓力及取樣測定，可預防漏破，確保精密過濾質量。
- 7.標準配備:底閥、法蘭及法蘭墊片，PVC 螺絲，SUS螺絲。

► Features & Advantages

- 1.Chemical liquid circulation filtering, PCB, electroplating, chemical, leather, dyeing and finishing, wastewater treatment and other industries.
- 2.High efficiency, easy to operate and clean.
- 3.The filter body is made by the injection molding of the PP material, which is more durable, resistant to high temperature and acid and alkaline, without leakage.
- 4.Vertical design of the filter material assembly makes the components easily be replaced at any time according to customer requirements.
- 5.Self-priming pump and magnetic pump without shaft seal and others are all optional.
- 6.Unique internal circulation pipes and detection ports, effectively stirring the filtering-aid powder and the carbon dust and measuring the average surface pressure and sampling can prevent leakage and ensure the quality of precision filtration.
- 7.Standard accessories: foot valve, flange and flange gasket, PVC screws and SUS screws.



型號說明 MODEL IDENTIFICATION

CB 2024 KD P 50 5 2 F E D

1 2 3 4 5 6 7 8 9 10 11

1.機型編號 Model

C-一體成型過濾機 Integrated filter

2.濾材形式 Filter Type

B-濾芯鎖螺型 Lock filter element type

H-濾芯壓板型 Pressure filter element type

P-濾紙型 Filter paper type

K-楊桃濾布型 Bellow filter cloth type

3.濾材規格 Filter Specifications

濾芯(Core):2024-20inch(長度)X24支(數量)(Length X Quantity)

2024-20"X24pcs 2030-20"X30pcs

濾片(Disc):4245-42cm(長度)X45片(數量)(Length X Quantity)

4245-42cmX45pcs

4.泵浦型式 Pump Type

KD-自吸泵 Self-priming Pump

KDN-自吸泵 Self-priming Pump

ME-磁力泵 Magnetic Pump

CB2024/CP4245

化學藥液過濾機

5. 泵體材質 Pump Body

P-PP F-PVDF

6. 出入口徑 Inlet And Outlet Diameter

50-2" 75-3"

7. 泵浦馬力 Pump Power

5-5HP

8. 極數 Pole

2-2P

9. 出入口形式 Outlet And Inlet Type

U-由任式 Union F-法蘭式 Flange

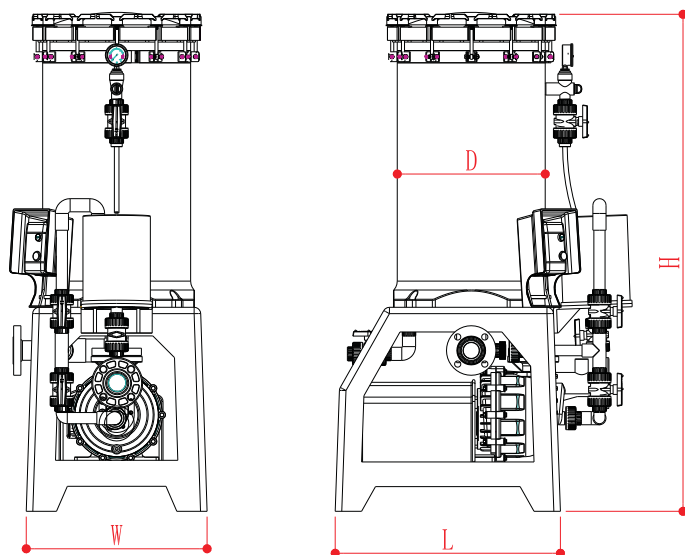
10. 密封材質 Seal

E-EPDM V-VITON N-NBR

11. 出入口標準 Outlet And Inlet Specifications

J-JIS D-DIN A-ANSI

尺寸圖 Dimensions



型式Model	L	W	H	D
CB2024	680.0	540.0	1600.0	500.0
CP4245				

規格表 Specifications

型式Model	濾材Filter Material	過濾面積 Filter Area (m ²)	過濾量Filter Capacity (l/min)	適合電鍍槽 Plating Tank Volume(l)	適用溫度 Temperature (≤℃)	泵浦功率 Pump Power(HP)	口徑Diameter (in-out)inch	機器重量 Weight(kg)
CB2024	20"x24pcs	6	450	6-8	65	5.0	2"x2"	180
CP4245	Φ42cm"x45pcs	6.20	450	6-8	65	5.0	2"x2"	186