

CP 3740

活性炭過濾機

ACTIVATED CARBON FILTER

▶ 特點及優點

- 1.主過濾桶與活性炭過濾桶均採用桶身與主體座一體射出成型，耐高溫及酸鹼，無洩漏和崩裂的現象，安全耐用。
- 2.高精度過濾，效率高，操作簡單，易清洗。
- 3.主濾材組立式設計，各部件更換容易。
- 4.用途：五金、塑膠、電鍍藥液循環過濾製程，PCB電鍍液過濾。

▶ Features and benefits

- 1.Both main filter body and activated carbon filter body employ integrated injection molding of filter body and filter body seat, which resist high temperature, acid and alkaline, without leakage and breakup, safe and durable.
- 2.Filtering with high precision, high efficiency, easy to operation and clean.
- 3.Main filter material assembly is vertical, and every component is easy to be replaced.
- 4.Application: hardware, plastic, circling filter manufacture procedure plating solution, filtration of PCB plating solution.



▶ 規格表 Specifications

型式Model	濾材Filter Material	過濾面積 Filter Area (m ²)	過濾量Filter Capacity (l/min)	適合電鍍槽 Plating Tank Volume(l)	適用溫度 Temperature (≤°C)	泵浦功率 Pump Power(HP)	口徑Diameter (in-out)inch	機器重量 Weight(kg)
CP2333	Φ23cm"x33pcs	1.37	240.0	1-3	65	1.0	1.5"x1.5"	122.0
CP3033	Φ30cm"x33pcs	2.47	330.0	2-4	65	2.0	1.5"x1.5"	140.0
CP3740	Φ37cm"x40pcs	4.30	375.0	4-6	65	3.0	2"x2"	168.0

CP 3740

活性炭過濾機

型號說明 MODEL IDENTIFICATION

CP 3740 KD P 50 3 2 F E D

1 2 3 4 5 6 7 8 9 10 11

1.機型編號 Model

C-一體成型過濾機 Integrated filter

2.濾材形式 Filter Type

P-濾紙型 Filter paper type

3.濾材規格 Filter Specifications

濾紙(Paper) : 2333-23cm(直徑)X33片(數量)(Diameter X Quantity)
2333-23cmX33pcs 3033-30cmX33pcs
3740-37cmX40pcs

4.泵浦型式 Pump Type

ME-磁力泵 Magnetic Pump
KD-自吸泵 Self-priming Pump
KD-自吸泵 Self-priming Pump
MED-非自吸式 Non Self-priming Pump

5.泵體材質 Pump Body

P-PP F-PVDF

6.出入口徑 Inlet And Outlet Diameter

40-1-1/2" 50-2"

7.泵浦馬力 Pump Power

1-1HP 2-2HP 3-3HP 5-5HP

8.極數 Pole

2-2P

9.出入口形式 Outlet And Inlet Type

U-由任式 Union F-法蘭式 Flange

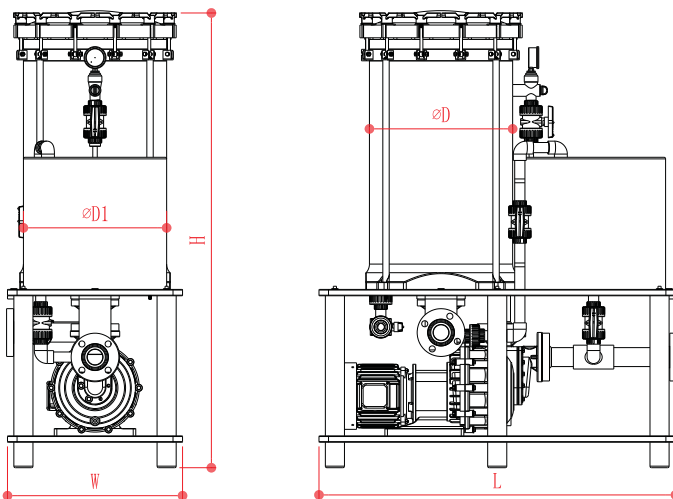
10.密封材質 Seal

E-EPDM V-VITON N-NBR

11.出入口標準 Outlet And Inlet Specifications

J-JIS D-DIN A-ANSI

尺寸圖 Dimensions



型式Model	L	W	H	D	D1
CP2333	1120	550.0	1448.0	315.0	315.0
CP3033	1120	550.0	1490.0	350.0	350.0
CP3740	1120	550.0	1536.0	450.0	450.0