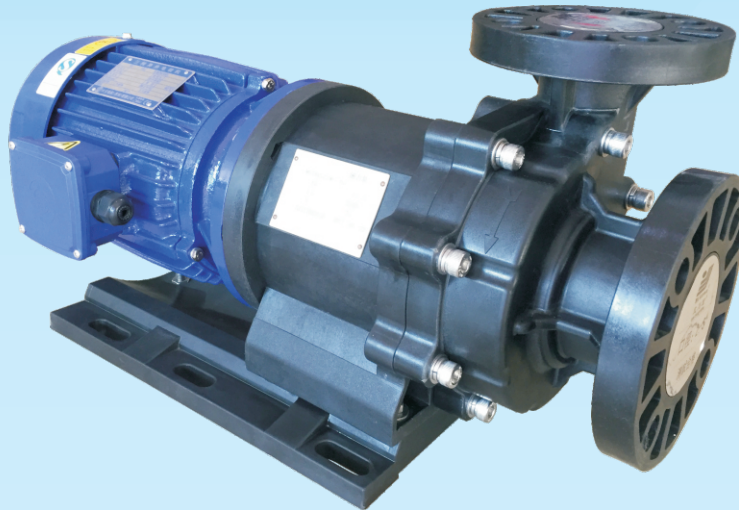




# MEB SERIES

## 無軸封磁力耐酸鹼泵浦

## NON SHAFT SEAL MAGNETIC PUMP



CAPACITY:12.5-60m<sup>3</sup>/h

### 型號說明 MODEL IDENTIFICATION

**MEB P 65 2 2 F C S E 5**

1

2

3

4

5

6

7

8

9

10

#### 1.機型編號 Model

MEB-磁力驅動泵 Magnetic drive pump

#### 2.泵體材質 Pump Body

P-PP(可以省略) F-PVDF E-CFRETFE

#### 3.入口口徑 Inlet Diameter

50-2" 65-2.5"

#### 4.馬力 Power

2-2HP 3-3HP 5-5HP

#### 5.極數 Pole

4-4P 2-2P

#### 6.接口方式 Interface Type

F-法蘭式 Flange M-外牙式 Male

#### 7.軸芯材質 Spindle

S-SIC(碳化硅) C-CERAMIC(陶瓷)

#### 8.軸承材質 Bearing

S-SIC(碳化硅) C-CARBON(碳素) P-PEEK

#### 9.密封材質 Seal

E-EPDM V-VITON N-NBR

#### 10.頻率 Frequency

5-50HZ 6-60HZ

# MEB SERIES

## 無軸封磁力耐酸鹼泵浦

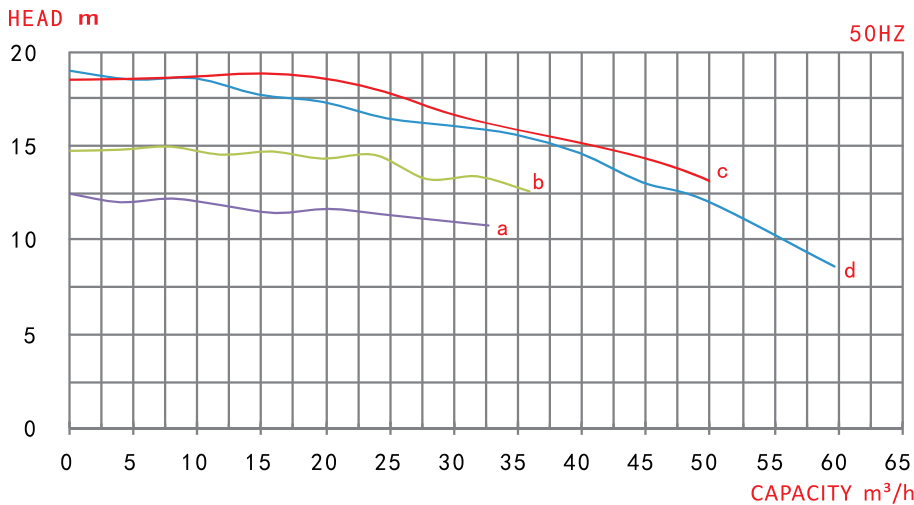
### ▶ 特點及優點

1. 泵體採用FRPP/PVDF材質射出成型，依藥液酸鹼度不同選取材質。
2. 適用溫度:FRPP-65°C/PVDF-90°C以下。
3. 磁力同步驅動，無軸封無接觸摩擦，功耗小效率高，避免介質洩漏。
4. 裝配簡易，結構精巧性能高，可輕易拆卸組裝更換零配件。
5. 用途廣泛，PCB製程，化學工業，過濾循環，蝕刻，電鍍，表面處理，污水處理等。

### Features and benefits

1. The pump is made by injection molding of FRPP/PVDF material. The material is selected according to the PH value of the liquid.
2. Applicable temperature: Below 65°C for FRPP, below 90°C for PVDF.
3. Magnetic synchronous movement, no shaft seal, no contact friction, low power consumption, high efficiency, avoiding the media leakage.
4. Easy assembling, sophisticated structure, high performance, easy to disassemble and replace the spare parts and accessories.
5. Extensive use in PCB process, chemical industry, filtration cycle, etching, electroplating, surface treatment, sewage treatment and so on.

### ▶ 性能曲線圖 Performance curve graph



### ▶ 規格表 Specifications

測試介質：清水 / 比重：1.0

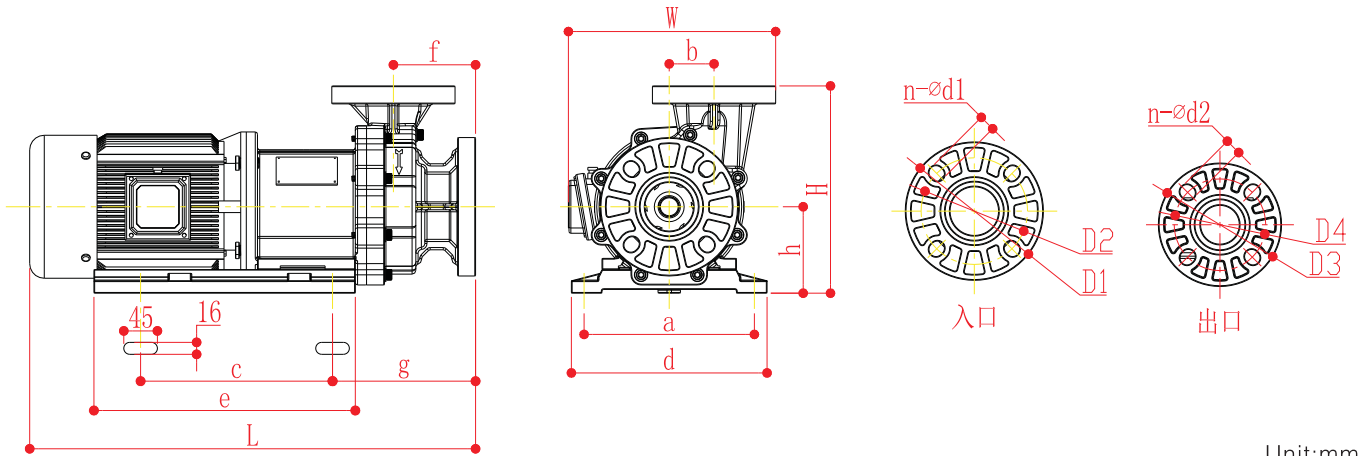
Test medium: Water / Proportion: 1.0

型式Model	口徑 Diameter (In-out)	動力Power			曲線 Curve	50HZ		重量 Weight (kg)
		相數 Phase (Φ)	極數 Pole (P)	馬力 Power (HP)		流量 Capacity (m³/h)	揚程 Head (m)	
MEB 6522	2.5"x2"	3	2	2	a	12.5	11.5	41.0
						25.0	11.0	
						30.0	10.5	
MEB 6532	2.5"x2"	3	2	3	b	12.5	14.5	44.0
						25.0	13.5	
						35.0	12.5	
MEB 6552	2.5"x2"	3	2	5	c	12.5	19.0	48.0
						25.0	17.5	
						40.0	15.0	
MEB 6552	2.5"x2.5"	3	2	5	d	12.5	18.5	48.5
						25.0	16.5	
						60.0	8.5	

# MEB SERIES

## 無軸封磁力耐酸鹼泵浦

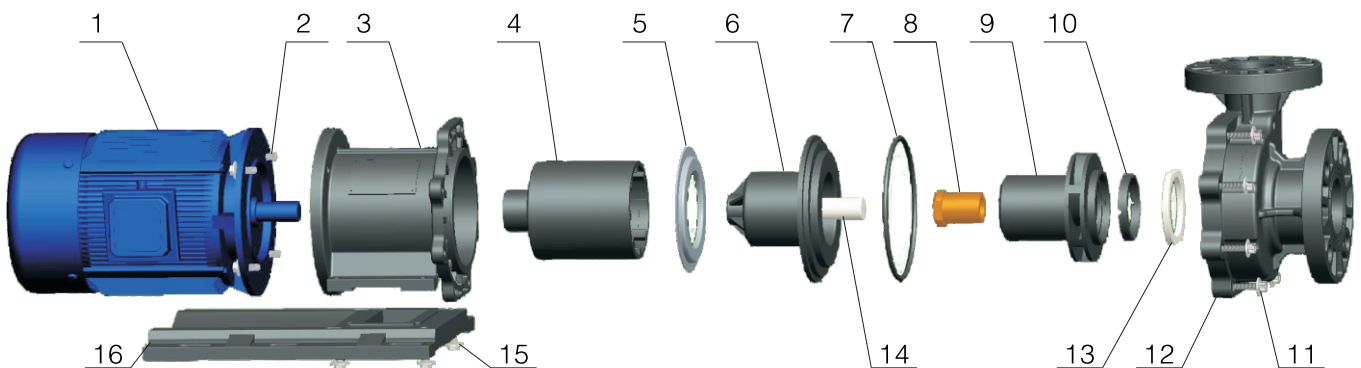
### 尺寸圖 Dimensions



Unit:mm

型式Model	L	W	H	a	b	c	d	e	f	g	h	D1	D2	n-d1	D3	D4	n-d2
MEB 6522	527	278	277	228	60	257	262	350	110	192	116	185	143	4-19X21.5	155	123	4-19X21.5
MEB 6532	547	278	277	228	60	257	262	350	110	192	116	185	143	4-19X21.5	155	123	4-19X21.5
MEB 6552	597	305	299	228	60	257	262	350	110	192	116	185	143	4-19X21.5	155	123	4-19X21.5
MEB 6552	597	305	299	228	60	257	262	350	110	192	116	185	143	4-19X21.5	185	143	4-19X21.5

### 零件圖表 Parts chart



#### NO. 名稱 PARTS

1. 電機 Motor
2. 螺栓 Bolt
3. 連接座 Connecting Base
4. 動驅磁 Drive Magnetic
5. 後蓋墊板 Rear Cover Plate
6. 後蓋 Rear Cover

#### NO. 名稱 PARTS

7. 前蓋O環 Front Cover O-ring
8. 軸承 Bearing
9. 葉輪 Impeller
10. 止推環 Thrust Ring
11. 螺栓 Bolt
12. 一體成型前蓋 Integrated Front Cover

#### NO. 名稱 PARTS

13. 耐磨片 Mouth Ring
14. 軸芯 Spindle
15. 螺栓 Bolt
16. 腳架 Foot Stand