

CD1-4

袋濾式過濾機

FILTER BAG TYPE FILTER

► 特點及優點

1. 藥液經濾袋過濾完成，收集于袋內，具有方便拆卸清洗之特點。
2. 高精密過濾，過濾面積廣，效率高，操作簡單，易清洗。
3. 濾袋採用市售標準規格:1#袋、2#袋、3#袋、4#袋，濾袋精度 0.5-50 μ 供客戶選用。
4. 主體桶採用PP材料一體射出成型，堅固耐用、不洩漏、耐高溫及耐酸鹼。
5. 標準配備：底閥、法蘭及法蘭墊片，PVC螺絲，SUS螺絲。

► Features and benefits

1. Solution will be collected in the bag after the filtration in the filter bag, with the feature of easy to unload and clean.
2. High precision filtration, large filter area, high efficiency, easy to operate and clean.
3. Standard specification in market is adopted to the filter bags: Bag 1#, Bag 2#, Bag 3#, Bag 4#, filter bags with filtration fineness of 0.5-50 μ are provided for clients to select and use.
4. The filter body is made by the injection molding of the PP material, which is more durable, resistant to high temperature and acid and alkaline, without leakage.
5. Standard accessories: foot valve, flange and flange gasket, PVC screws and SUS screws.



型號說明MODEL IDENTIFICATION

CD 2 KD P 40 2 2 U E D

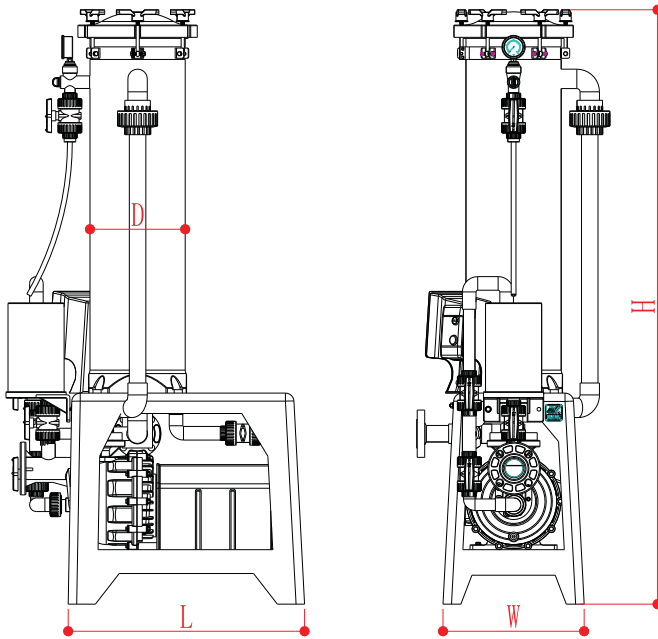
1 2 3 4 5 6 7 8 9 10 11

1. 機型編號 Model C-一體成型過濾機 Integrated filter	6. 出入口徑 Inlet And Outlet Diameter 25-1" 40-1-1/2" 50-2"
2. 濾材形式 Filter Type D-袋濾式 Bag-filter type	7. 泵浦馬力 Pump Power C-180W D-260W 1-1HP 2-2HP 3-3HP
3. 濾材規格 Filter Specifications 1-1#袋 (Φ7"xL16") 2-2#袋 (Φ7"xL32") 3-3#袋 (Φ4"xL9") 4-4#袋 (Φ4"xL15")	8. 極數 Pole 2-2P
4. 泵浦型式 Pump Type ME-磁力泵 Magnetic Pump KD-自吸泵 Self-priming Pump KDN-自吸泵 Self-priming Pump MED-非自吸式 Non Self-priming Pump	9. 出入口形式 Outlet And Inlet Type U-由任式 Union F-法蘭式 Flange
5. 泵浦材質 Pump Body P-PP F-PVDF	10. 密封材質 Seal E-EPDM V-VITON N-NBR
	11. 出入口標準 Outlet And Inlet Specifications J-JIS D-DIN A-ANSI

CD1-4

袋濾式過濾機

▶ 尺寸圖 Dimensions



型式Model	L	W	H	D
CD1	420.0	380.0	1460.0	280.0
CD2	420.0	380.0	1750.0	280.0
CD3	455.0	345.0	1180.0	220.0
CD4	455.0	345.0	1180.0	220.0

▶ 規格表 Specifications

型式Model	濾材Filter Material	過濾面積 Filter Area (m ²)	過濾量Filter Capacity (l/min)	適用溫度 Temperature (≤°C)	泵浦功率 Pump Power(HP)	口徑Diameter (in-out)inch	機器重量 Weight(kg)
CD1	Φ7xL16"	0.25	240	65	1-2HP	1.5"x1.5"	70
CD2	Φ7xL32"	0.50	330	65	3HP	2"x1.5"	78
CD3	Φ4xL19"	0.09	60	65	180W	1"x1"	28
CD4	Φ4xL15"	0.16	80	65	260W	1"x1"	28