

CB01-04

化學藥液過濾機

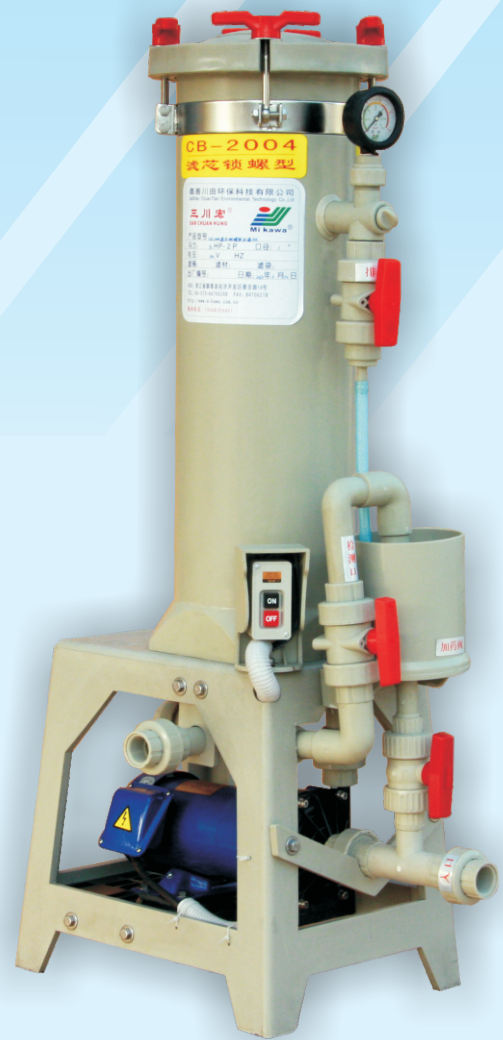
CHEMICAL LIQUID FILTER

► 特點及優點

- 1.化學藥液循環過濾，PCB、電鍍、化工、皮革、染整、廢水處理等行業。
- 2.效率高，操作簡單，清洗容易。
- 3.採用無軸封磁力傳動泵，絕無洩漏之慮。
- 4.主體桶採用PP材料一體射出成型，更堅固耐用、不洩漏、耐高溫及耐酸鹼。
- 5.電源開關為ON-OFF押扣開關，標準配件：底閥、出入口由任。

► Features and benefits

- 1.Chemical liquid circulation filtering, PCB, electroplating, chemical, leather, dyeing and finishing, wastewater treatment and other industries.
- 2.High efficiency, easy to operate and clean.
- 3.Apply the magnetic drive pump without shaft seal, and there is no worry for the leakage.
- 4.The filter body is made by the injection molding of the PP material, which is more durable, resistant to high temperature, acid and alkaline, without leakage.
- 5.The power switch is the ON-OFF buckle switch, and the standard accessories are: foot valve, outlet and inlet unions.



型號說明 MODEL IDENTIFICATION

CB 2001 ME P 20 A U E D

1 2 3 4 5 6 7 8 9 10

1.機型編號 Model

C-一體成型過濾機 Integrated filter

2.濾材形式 Filter Type

B-濾芯鎖螺型 Lock filter element type

3.濾材規格 Filter Specifications

1001-10inch(長度)X1支(數量)(Length X Quantity)

1001-10"X1pcs 2001-20"X1pcs

1002-10"X2pcs 2002-20"X2pcs

1003-10"X3pcs 2003-20"X3pcs

1004-10"X4pcs 2004-20"X4pcs

4.泵浦型式 Pump Type

ME-磁力泵 Magnetic Pump

5.泵浦材質 Pump Body

P-PP F-PVDF

6.出入口徑 Inlet And Outlet Diameter

20-3/4" 25-1"

7.泵浦馬力 Pump Power

A-65W B-90W C-180W D-260W

8.出入口形式 Outlet And Inlet Type

U-由任式 Union F-法蘭式Flange

9.密封材質 Seal

E-EPDM V-VITON N-NBR

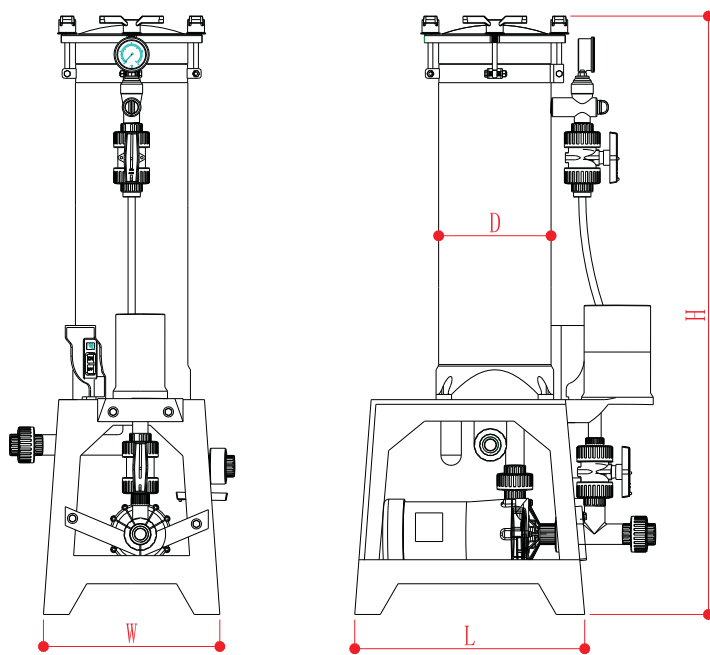
10.出入口標準 Outlet And Inlet Specifications

J-JIS D-DIN A-ANSI

CB01-04

化學藥液過濾機

▶ 尺寸圖 Dimensions



型式Model	L	W	H	D
CB1001	455.0	345.0	935.0	120.0
CB2001	455.0	345.0	1140.0	120.0
CB1002	455.0	345.0	935.0	200.0
CB2002	455.0	345.0	1180.0	200.0
CB1003	455.0	345.0	935.0	200.0
CB2003	455.0	345.0	1180.0	200.0
CB1004	455.0	345.0	935.0	220.0
CB2004	455.0	345.0	1180.0	220.0

▶ 規格表 Specifications

型式Model	濾材Filter Material	過濾面積 Filter Area (l/min)	過濾量Filter Capacity (l/min)	適合電鍍槽 Plating Tank Volume(l)	適用溫度 Temperature (≤°C)	泵浦功率 Pump Power(w)	口徑Diameter (in-out)inch	機器重量 Weight(kg)
CB1001	10"x1	0.125	37.5	200.0	65	65w	3/4"x3/4"	16
CB2001	20"x1	0.25	52.0	400.0	65	90w	1"x1"	18
CB1002	10"x2	0.25	52.0	400.0	65	90w	1"x1"	20.5
CB2002	20"x2	0.5	60.0	600.0	65	180w	1"x1"	24.5
CB1003	10"x3	0.375	52.0	500.0	65	90w	1"x1"	21
CB2003	20"x3	0.75	60.0	700.0	65	180w	1"x1"	25
CB1004	10"x4	0.5	60.0	600.0	65	180w	1"x1"	24
CB2004	20"x4	1	80.0	800.0	65	260w	1"x1"	28