

UH SERIES

不銹鋼過濾器

STAINLESS STEEL FILTER

► 特點及優點

- 1.化學藥液循環過濾，PCB、電鍍、化工、皮革、染整、廢水處理等行業。
- 2.效率高，操作簡單，清洗容易。
- 3.適用範圍：RO前後置過濾、PCW過濾、清洗機臺循環過濾、化學品製程、回收水過濾、一般用水過濾、飲料業。
- 4.濾材組立式設計，各部件更換容易，並可根據客戶要求隨時更換。

► Features and benefits

- 1.Chemical liquid circulation filtering, PCB, electroplating, chemical, leather, dyeing and finishing, wastewater treatment and other industries.
- 2.High efficiency, easy to operate and clean.
- 3.Applicable scope: RO preposition and postposition filtration, PCW filtration, washing machine recycling filtration, chemical products manufacture process, recycling water filtration, general water filtration, beverage industry.
- 4.Vertical design of the filter material assembly makes the components easily be replaced at any time according to customer requirements.



型號說明 MODEL IDENTIFICATION

UH 2007 A U E D

1 2 3 4 5 6 7

1.機型編號 Model

U-不銹鋼過濾器 Stainless steel filter

2.濾材形式 Filter Type

H-濾芯壓板型 Pressure filter element type

3.濾材規格 Filter Specifications

1003-10inch(長度)X03支(數量)(Length X Quantity)

1005-10"X5pcs 1007-10"X7pcs

2003-20"X3pcs 2005-20"X5pcs

2007-20"X7pcs 3003-30"X3pcs

3005-30"X5pcs 3007-30"X7pcs

4005-40"X5pcs 4007-40"X7pcs

4.主體桶材質 Main Barrel Material

A-SUS304 B-SUS316 L-SUS316L

5.出入口形式 Outlet And Inlet Type

U-外牙式 Male Threaded F-法蘭式Flange

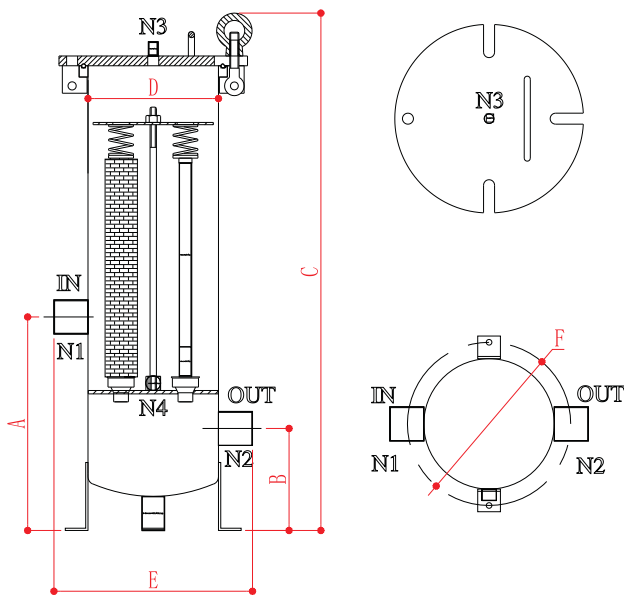
6.密封材質 Seal

E-EPDM V-VITON N-NBR

7.出入口標準 Outlet And Inlet Specifications

J-JIS D-DIN A-ANSI

尺寸圖 Dimensions



型式Model	A	B	C	ΦD	E	ΦH1
UH1005	280	120	645	230	330	288
UH1007	280	120	645	230	330	288
UH2005	280	120	910	230	330	288
UH2007	280	120	910	230	330	288
UH3005	280	120	1165	230	330	288
UH3007	280	120	1165	230	330	288
UH4005	280	120	1420	230	330	288
UH4007	280	120	1420	230	330	288
UH1003	280	120	645	181	280	235
UH2003	280	120	910	181	280	235
UH3003	280	120	1165	181	280	235

規格表 Specifications

型式Model	濾材Filter Material	過濾面積 Filter Area (m ²)	容量 Capacity (l)	適用溫度 Temperature (≤°C)	耐壓 Pressure (Mpa)	口徑Diameter (in-out)inch	機器重量 Weight(kg)
UH1005	10"x5	0.625	20	75	1	1"x1"	37
UH1007	10"x7	0.875	20	75	1	1"x1"	37
UH2005	20"x5	1.25	30	75	1	1.5"x1.5"	42
UH2007	20"x7	1.75	30	75	1	1.5"x1.5"	42
UH3005	30"x5	1.875	40	75	1	1.5"x1.5"	49
UH3007	30"x7	2.625	40	75	1	2"x2"	49
UH4005	40"x5	2.5	50	75	1	2"x2"	56
UH4007	40"x7	3.5	50	75	1	2"x2"	56
UH1003	10"x3	0.375	12	75	1	1"x1"	39
UH2003	20"x3	0.75	19	75	1	1"x1"	33
UH3003	30"x3	1.125	26	75	1	1.5"x1.5"	37