

CB04-18

化學鎳精密過濾機

CHEMICAL NICKEL PRECISION FILTER

▶ 特點及優點

1. 過濾桶採用PP一體射出成型，堅固耐用，絕不洩漏。
2. 採用可空轉化工泵浦，可空轉使用，但有液面限制。
3. 濾芯式設計，精密過濾，操作簡單，清洗容易。

▶ Features & Advantages

1. Filter body is made by injection molding of PP material, which is sturdy and durable, absolutely without leakage.
2. Adopt idling chemical pump to make pump operate under idling, but with a liquid level limitation.
3. Filter element type design, precision filtration, easy to operate and clean.



型號說明 MODEL IDENTIFICATION

CB 2006 SE F 50 1 2 U V D

1 2 3 4 5 6 7 8 9 10 11

1. 機型編號 Model

C-一體成型過濾機 Integrated filter

2. 濾材形式 Filter Type

B-濾芯鎖螺型 Lock filter element type

3. 濾材規格 Filter Specifications

濾芯(Core): 2018-20inch(長度)X18支(數量)(Length X Quantity)

2004-20"X4pcs

2006-20"X6pcs

2012-20"X12pcs

2018-20"X18pcs

4. 泵浦型式 Pump Type

SE-立式泵 Vertical Pump

SEB-立式泵 Vertical Pump

5. 泵浦材質 Pump Body

F-PVDF

6. 出入口徑 Inlet And Outlet Diameter

40-1-1/2" 50-2"

7. 泵浦馬力 Pump Power

0-0.5HP 1-1HP 2-2HP 3-3HP 5-5HP

8. 極數 Pole

2-2P

9. 出入口形式 Outlet And Inlet Type

U-由任式 Union F-法蘭式 Flange

10. 密封材質 Seal

E-EPDM V-VITON N-NBR

11. 出入口標準 Outlet And Inlet Specifications

J-JIS

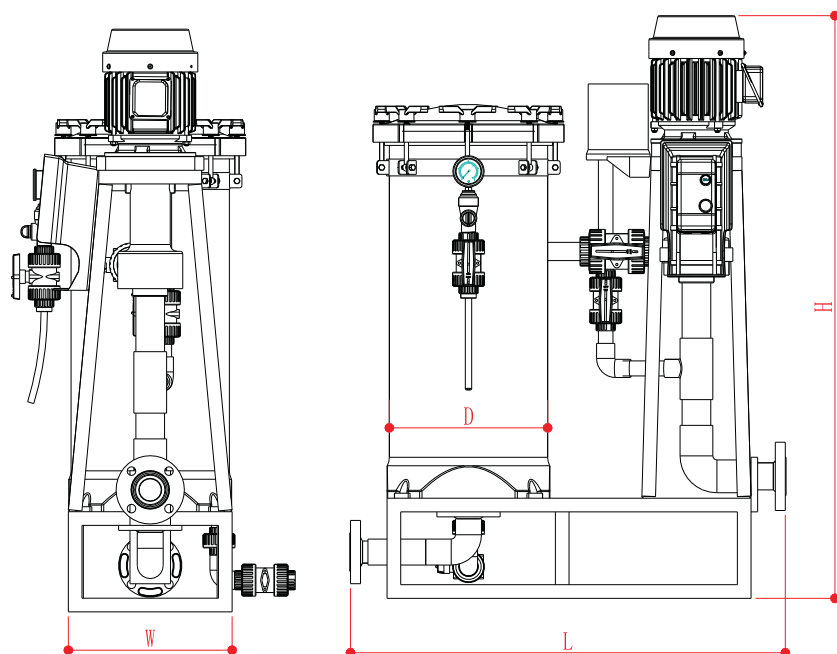
D-DIN

A-ANSI

CB04-18

化學鍍精密過濾機

▶ 尺寸圖 Dimensions



型式Model	L	W	H	D
CB1004	810.0	230.0	1070.0	220.0
CB2004	810.0	230.0	1245.0	220.0
CB2006	880.0	290.0	1260.0	280.0
CB2008	935.0	340.0	1300.0	310.0
CB2012	935.0	360.0	1260.0	350.0
CB2018	1045.0	470.0	1310.0	450.0

▶ 規格表 Specifications

型式Model	濾材Filter Material	過濾面積 Filter Area (m ²)	過濾量Filter Capacity (l/min)	適合電鍍槽 Plating Tank Volume(l)	適用溫度 Temperature (≤°C)	泵浦功率 pump Power(HP)	口徑Diameter (in-out)inch	機器重量 Weight(kg)
CB1004	10"x4	0.50	60	0.6	65	0.5	1.5"x1"	40
CB2004	20"x4	1	80	0.8	65	0.5	1.5"x1"	42
CB2006	20"x6	1.5	160	1-2	65	1.0	2"x1.5"	62
CB2008	20"x8	2	240	1-3	65	2.0	2"x1.5"	68
CB2012	20"x12	3	330	2-4	65	2.0	2"x1.5"	80
CB2018	20"x18	4.5	375	4-6	65	3.0	2"x2"	92