

CKH06-18

雙桶串聯過濾機

DOUBLE BARREL SERIES FILTER

► 特點及優點

1. 第一桶將液體經濾心濾袋處理，去除液體中有機化合物。第二桶將第一桶過濾後液體中雜質再次予以濾除，使其過濾精度更高。
2. 設有內循環及檢測口，有效地攪拌助濾粉及碳粉，測定平均表面壓力及取樣測定，確保精密過濾質量。
3. 主體桶採用PP材料一體射出成型，堅固耐用、不洩漏、耐高溫及耐酸鹼。
4. 濾材組立式設計，各部件更換容易，並可根據客戶要求隨時更換。
5. 泵浦可採用自吸式泵和無軸封磁力泵等多種選擇。
6. 標準配備：底閥、法蘭及法蘭墊片，PVC 螺絲，SUS 螺絲。

► Features and benefits

1. For the first barrel, remove the organic compounds in the liquid by the treatment of filter element and bag; for the second barrel, filter the impurities in the liquid after the filtration of the first barrel to increase the fineness.
2. Unique internal circulation and detection ports, effectively stirring the filtering-aid powder and the carbon dust and measuring the average surface pressure and sampling can ensure the quality of precision filtration.
3. The filter body is made by the injection molding of the PP material, which is more durable, resistant to high temperature and acid and alkaline, without leakage.
4. Vertical design of the filter material assembly makes the components easily be replaced at any time according to customer requirements.
5. Self-priming pump and magnetic pump without shaft seal and others are all optional.
6. Standard accessories: foot valve, flange and flange gasket, PVC screws and SUS screws.



型號說明 MODEL IDENTIFICATION

CKH 5928-2018 KD P 50 3 2 F E D

1	2	3	4	5	6	7	8	9	10	11	12	13
---	---	---	---	---	---	---	---	---	----	----	----	----

1. 機型編號 Model

C-一體成型過濾機 Integrated filter

2-3. 濾材形式 Filter Type

B-濾芯鎖螺型 Lock filter element type

H-濾芯壓板型 Pressure filter element type

P-濾紙型 Filter paper type

K-楊桃濾布型 Bellow filter cloth type

4-5. 濾材規格 Filter Specifications

濾芯(Core): 2018-20inch(長度)X18支(數量)(Length X Quantity)

2006-20"X6pcs	2008-20"X8pcs
2012-20"X12pcs	2018-20"X18pcs
3018-30"X18pcs	

濾紙(Paper): 2333-23cm(直徑)X33片(數量)(Diameter X Quantity)

2333-23cmX33pcs	3033-30cmX33pcs
3740-37cmX40pcs	

濾片(Disc): 4524-45cm(長度)X24片(數量)(Length X Quantity)

4524-45cmX24pcs	5928-59cmX28pcs
-----------------	-----------------

CKH06-18

雙桶串聯過濾機

6. 泵浦型式 Pump Type

ME-磁力泵 Magnetic Pump
 KD-自吸泵 Self-priming Pump
 KD-自吸泵 Self-priming Pump
 MED-非自吸式 Non Self-priming Pump

7. 泵體材質 Pump Body

P-PP F-PVDF

8. 出入口徑 Inlet And Outlet Diameter

40-1-1/2" 50-2"

9. 泵浦馬力 Pump Power

1-1HP 2-2HP 3-3HP 5-5HP

10. 極數 Pole

2-2P

11. 出入口形式 Outlet And Inlet Type

U-由任式 Union F-法蘭式 Flange

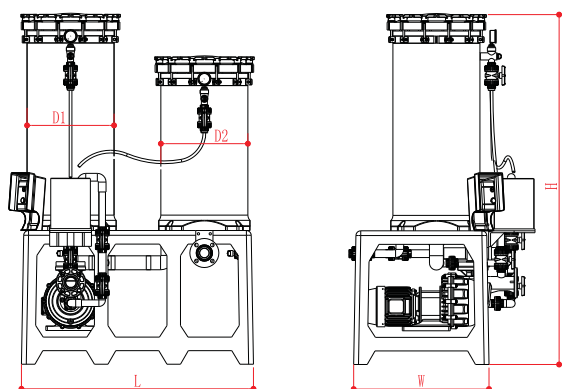
12. 密封材質 Seal

E-EPDM V-VITON N-NBR

13. 出入口標準 Outlet And Inlet Specifications

J-JIS D-DIN A-ANSI

▶ 尺寸圖 Dimensions



型式Model	L	W	H	D1	D2
CHH2018-2018	1200	700	1800	450	450
CHH2018-2012	1200	700	1800	450	350
CHP2018-3740	1200	700	1800	450	450
CKH5928-2018	1200	700	1800	450	450
CHP2018-3033	1200	700	1800	450	350

▶ 規格表 Specifications

型式Model	濾材—One Filter Material	濾材—Two Filter Material	過濾面積 Filter Area (m ²)	過濾量 Filter Capacity (l/min)	適用溫度 Temperature (≤°C)	泵浦功率 Pump Power(HP)	口徑 Diameter (in-out)inch	機器重量 Weight(kg)
CHH2018-2018	20"x18pcs	20"x18pcs	4.50+4.50	375	65	3	2"x2"	180
CHH2018-2012	20"x18pcs	20"x12pcs	4.50+3.0	375	65	3	2"x2"	165
CHP2018-3740	20"x18pcs	Φ37cmx40pcs	4.50+4.30	375	65	3	2"x2"	185
CKH5928-2018	L59cmx28pcs	20"x18pcs	4.80+4.50	375	65	3	2"x2"	190
CHP2018-3033	30"x18pcs	Φ30cmx33pcs	4.50+2.47	375	65	3	2"x2"	165