

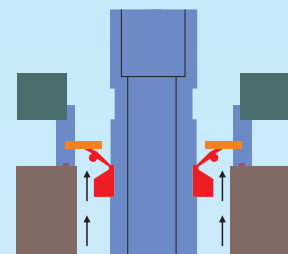


# SEP SERIES

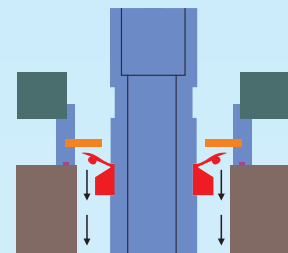
## 可空轉立式耐酸鹼泵 VERTICAL PUMP



化學氣體乾式軸封  
Chemical vapor and dry vapor seal



停止中  
Stop



運轉中  
Running

CAPACITY: 6.3-25m<sup>3</sup>/h

### 型號說明 MODEL IDENTIFICATION

# SEP P 50 3 2 E 5

1 2 3 4 5 6 7

1. 機型編號 Model

SEP-可空轉立式泵 Idling-type vertical pump

2. 泵體材質 Pump Body

P-PP(可以省略) F-PVDF E-CFRETFE

3. 入口口徑 Inlet Diameter

50-2"

4. 馬力 Power

2-2HP 3-3HP 5-5HP

5. 極數 Pole

4-4P 2-2P

6. 密封材質 Seal

E-EPDM V-VITON N-NBR

7. 頻率 Frequency

5-50HZ 6-60HZ

# SEP SERIES 可空轉立式耐酸鹼泵

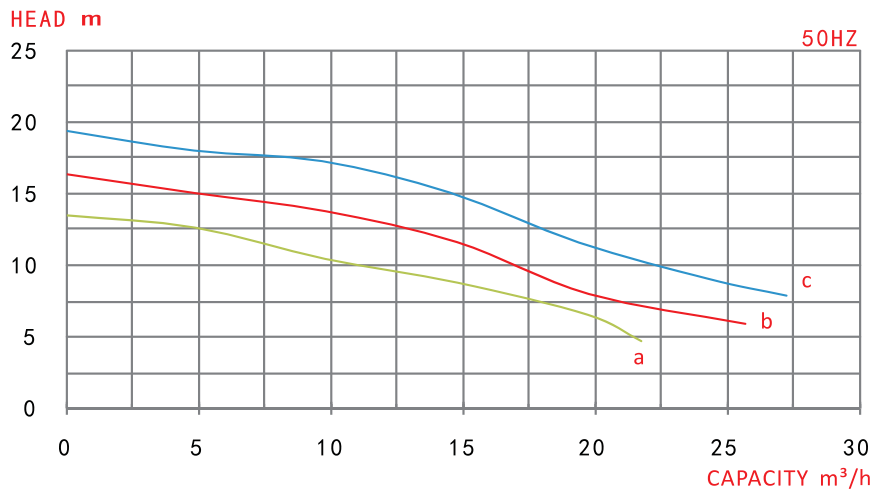
## ▶ 特點及優點

1. 採用FRPP/PVDF材質射出成型，耐酸鹼，抗腐蝕性。適用溫度：FRPP-65°C以下，PVDF-90°C以下。
2. 乾式軸封設計，防止酸氣進入馬達損壞培林。
3. 可空轉使用，絕不會因空運轉而損壞。
4. 可用在含有結晶顆粒的液體。
5. 適合各種酸鹼液循環、冷卻、噴洗設備、廢氣塔、蝕刻機、廢水處理等。
6. 適合無電解鍍化學銅及各種特殊電鍍液之循環輸送。

## Features and benefits

1. The pump is made by the injection molding of the FRPP/PVDF material, which is resistant to acid, alkaline and corrosion, with usage temperature of: Below 65°C for FRPP, below 90°C for PVDF.
2. Dry shaft seal design, preventing acid gas from penetrating motor to damage the bearing.
3. Able to conduct idling operation and will never be damaged due to idle running.
4. Able to work with liquids containing crystallized particles.
5. Adaptable to various circulation/cooling/spay-rinsing equipment of various acid and alkaline liquids, exhaust towers, engraving machine, waste water treatment, etc.
6. Adaptable to circulating transport of various special electroplate liquids and those electroless nickel and chemical copper.

## ▶ 性能曲線圖 Performance curve graph



## ▶ 規格表 Specifications

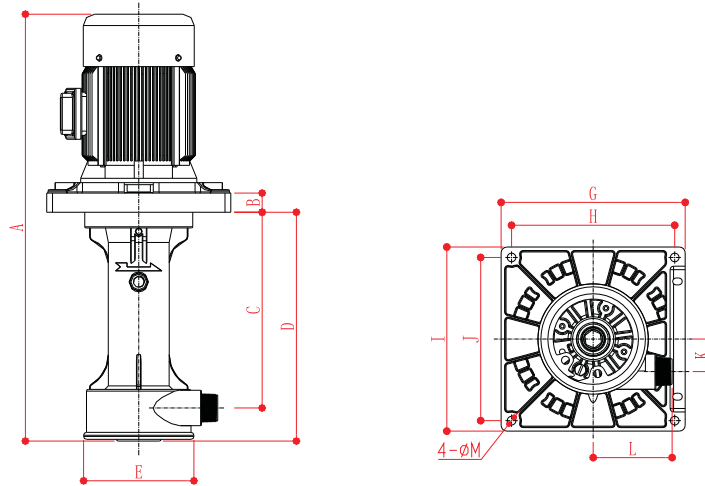
測試介質：清水 / 比重：1.0

Test medium: Water / Proportion: 1.0

型式Model	□徑 Diameter (In-out)	動力Power			曲線 Curve	50HZ		重量 Weight (kg)
		相數 Phase (Φ)	極數 Pole (P)	馬力 Power (HP)		流量 Capacity (m³/h)	揚程 Head (m)	
SEP 5022	2"x1.5"	3	2	2	a	6.3	11.0	21
						12.5	9.0	
						22.0	4.0	
SEP 5032	2"x1.5"	3	2	3	b	6.3	15.0	28
						12.5	12.5	
						25.0	5.0	
SEP 5052	2"x1.5"	3	2	5	c	6.3	18.0	31
						12.5	16.0	
						25.0	8.5	

# SEP SERIES 可空轉立式耐酸鹼泵

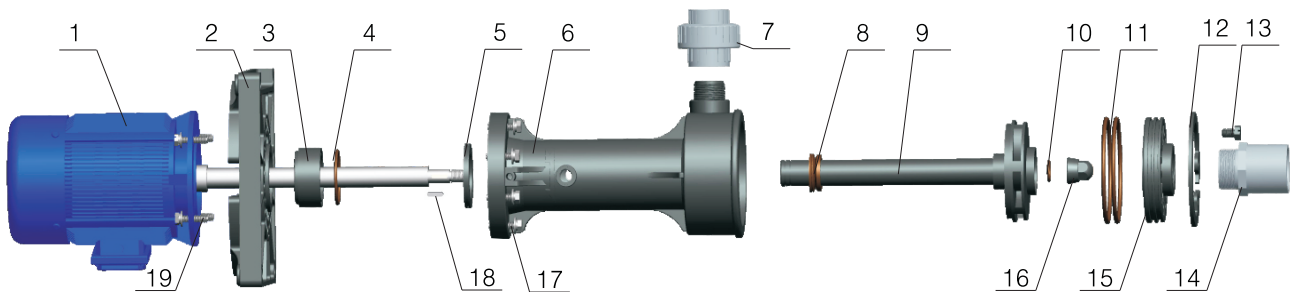
## 尺寸圖 Dimensions



Unit:mm

型式Model	A	B	C	D	E	G	H	I	J	K	L	M
SEP 5022	712	32	337	395	190	320	280	320	280	56	136	15
SEP 5032	741	32	337	395	190	320	280	320	280	56	136	15
SEP 5052	756	32	337	395	190	320	280	320	280	56	136	15

## 零件圖表 Parts chart



### NO. 名稱 PARTS

1. 電機 Motor
2. 馬達連接座 Motor Spacer
3. 液封座 Vapor Seal Seat
4. O環 Vapor Seal Seat O-Ring
5. 下墊圈 Main Body Gasket
6. 主體 Main Body
7. 由任 Union

### NO. 名稱 PARTS

8. V環 V-Ring
9. 葉輪 Impeller
10. O環 Impeller Nut O-Ring
11. 上座O環 Front Cover O-ring
12. C型扣環 C-Clip
13. 上座螺絲 Front Cover Screw
14. 止閥接頭 Check Valve Joint

### NO. 名稱 PARTS

15. 上座 Front Cover
16. 葉輪螺帽 Impeller Nut
17. 螺絲 Main Body Screw
18. 葉輪鍵 Shaft Key
19. 螺絲 Motor Screw