

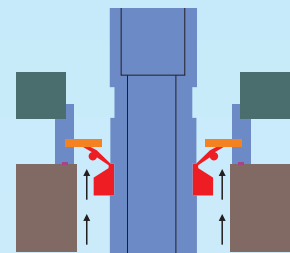


SE SERIES

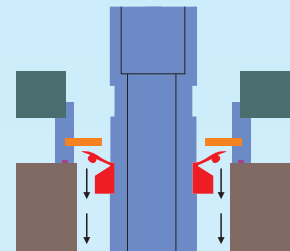
可空轉立式耐酸鹼泵 VERTICAL PUMP



化學氣體乾式軸封
Chemical vapor and dry vapor seal



停止中
Stop



運轉中
Running

CAPACITY:3.2-18m³/h

型號說明 MODEL IDENTIFICATION

SE P 50 3 2 E 5

1 2 3 4 5 6 7

1.機型編號 Model

SE-可空轉立式泵 Idling-type vertical pump

2.泵體材質 Pump Body

P-PP(可以省略) F-PVDF E-CFRETFE

3.入口口徑 Inlet Diameter

50-2"

4.馬力 Power

0-1/2HP 1-1HP 2-2HP 3-3HP

5.極數 Pole

4-4P 2-2P

6.密封材質 Seal

E-EPDM V-VITON N-NBR

7.頻率 Frequency

5-50HZ 6-60HZ

SE SERIES 可空轉立式耐酸鹼泵

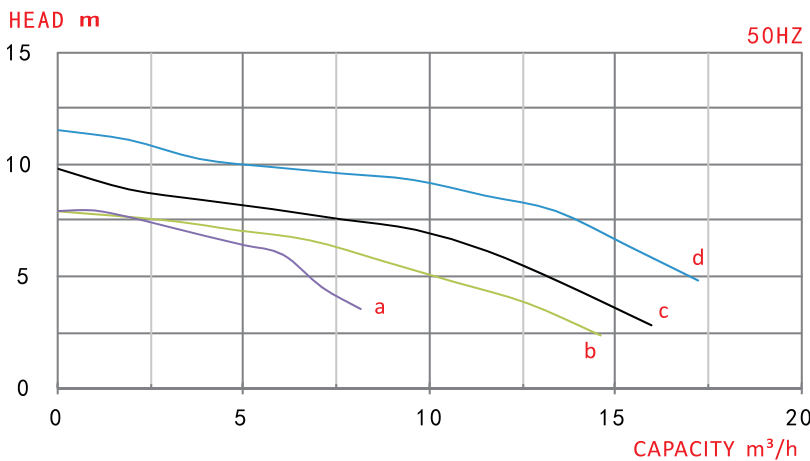
▶ 特點及優點

1. 採用FRPP/PVDF材質射出成型，耐酸鹼，抗腐蝕性。適用溫度：FRPP-65°C以下，PVDF-90°C以下。
2. 乾式軸封設計，防止酸氣進入馬達損壞培林。
3. 可空轉使用，絕不會因空運轉而損壞。
4. 可用在含有結晶顆粒的液體。
5. 適合各種酸鹼液循環、冷卻、噴洗設備、廢氣塔、蝕刻機、廢水處理等。
6. 適合無電解鍍化學銅及各種特殊電鍍液之循環輸送。

Features and benefits

1. The pump is made by the injection molding of the FRPP/PVDF material, which is resistant to acid, alkaline and corrosion, with usage temperature of: Below 65°C for FRPP, below 90°C for PVDF.
2. Dry shaft seal design, preventing acid gas from penetrating motor to damage the bearing.
3. Able to conduct idling operation and will never be damaged due to idle running.
4. Able to work with liquids containing crystallized particles.
5. Adaptable to various circulation/cooling/spay-rinsing equipment of various acid and alkaline liquids, exhaust towers, engraving machine, waste water treatment, etc.
6. Adaptable to circulating transport of various special electroplate liquids and those electroless nickel and chemical copper.

▶ 性能曲線圖 Performance curve graph



▶ 規格表 Specifications

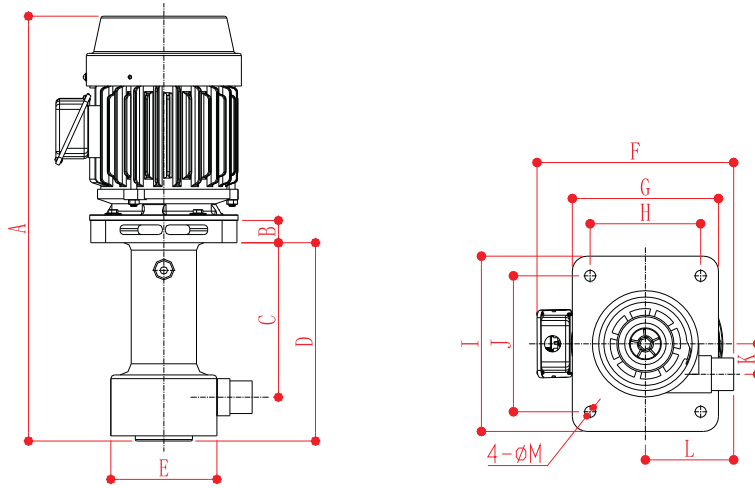
測試介質：清水 / 比重：1.0

Test medium: Water / Proportion: 1.0

型式Model	□徑 Diameter (In-out)	動力Power			50HZ			重量 Weight (kg)
		相數 Phase (Φ)	極數 Pole (P)	馬力 Power (HP)	曲線 Curve	流量 Capacity (m ³ /h)	揚程 Head (m)	
SE 5002	2"x1"	3	2	0.5	a	3.2 6.3 8.0	7.0 5.0 3.0	16
SE 5012	2"x1.5"	3	2	1	b	6.3 12.5 15.0	6.0 4.0 2.5	21
SE 5022	2"x1.5"	3	2	2	c	6.3 12.5 16.0	8.0 6.0 3.0	28
SE 5032	2"x1.5"	3	2	3	d	6.3 12.5 18.0	10.0 8.0 3.5	31

SE SERIES 可空轉立式耐酸鹼泵

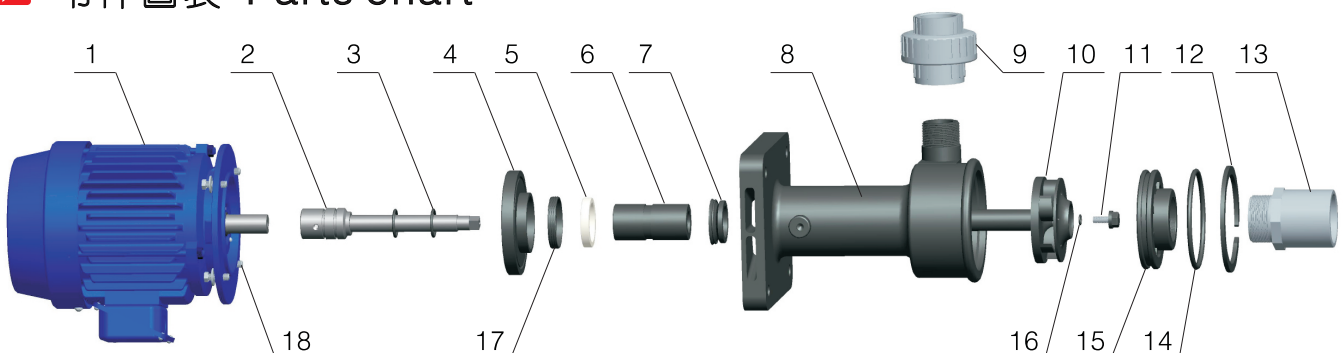
尺寸圖 Dimensions



Unit:mm

型式Model	A	B	C	D	E	F	G	H	I	J	K	L	M
SE 5002	543	30	208	265	143	253	195	149	236	179	41	119	15
SE 5012	543	30	208	265	143	253	195	149	236	179	41	119	15
SE 5022	557	30	208	265	143	257	195	149	236	179	41	119	15
SE 5032	619	30	208	265	143	265	195	149	236	179	41	119	15

零件圖表 Parts chart



NO. 名稱 PARTS

1. 電機 Motor
2. 軸芯 Main Shaft
3. 軸芯O環 Main Shaft O-ring
4. 液封座 Vapor Seal Seat
5. 陶瓷 Ceramic
6. 軸芯套筒 Main Shaft Sleeve

NO. 名稱 PARTS

7. 液封 V-ring
8. 主體 Main Body
9. 由任 Union
10. 葉輪 Impeller
11. 葉輪螺帽 Impeller Nut
12. C型扣環 C-Clip

NO. 名稱 PARTS

13. 止閥接頭 Check Valve Joint
14. 上座O環 Front Cover O-ring
15. 上座 Front Cover
16. 葉輪螺帽O環 Impeller Nut O-Ring
17. 陶瓷墊片 Ceramic Gasket
18. 螺絲 Bolt