



NAS SERIES

全新升級型
「高效、節能」

非自吸式耐酸鹼泵浦 NON SELF-PRIMING PUMP



*ENERGY-SAVING
*HIGH-EFFICIENCY
CAPACITY:20-100m³/h

型號說明 MODEL IDENTIFICATION

NAS P 75 7 2 E S C H 5

1 2 3 4 5 6 7 8 9 10

1.機型編號 Model

NAS-非自吸臥式泵 Non-self-priming horizontal pump

2.泵體材質 Pump Body

P-PP(可以省略)

3.入口口徑 Inlet Diameter

65-2.5" 75-3" 100-4"

4.馬力 Power

5-5HP 7-7.5HP 10-10HP 15-15HP 20-20HP

5.極數 Pole

4-4P 2-2P

6.密封材質 Seal

E-EPDM V-VITON N-NBR

7.固定環材質 Stationary Ring

C-Ceramic(陶瓷) S-Silicon(碳化硅)

8.轉動環材質 Rotational Ring

C-Carbon(碳素) S-Silicon(碳化硅)

9.彈簧材質 Spring

S-SUS 316 H-Hastelloy-C

10.頻率 Frequency

5-50HZ 6-60HZ

NAS SERIES

非自吸式耐酸鹼泵浦

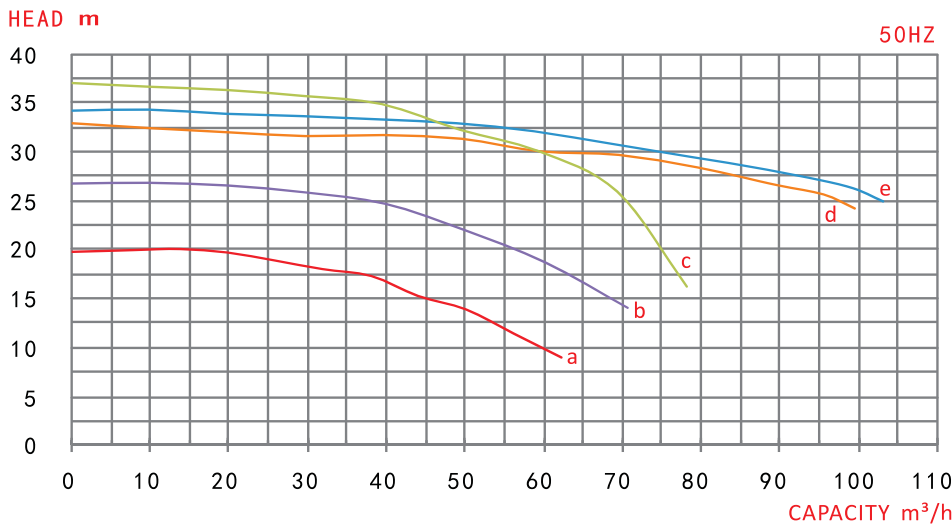
▶ 特點及優點

1. FRPP材質射出成型，耐酸鹼，抗腐蝕性，適用溫度65°C以下。
2. 結構簡單，組裝及維修方便，葉輪採用一體成型，壽命長、效率高。
3. 流量大，效率高，獨特軸封設計，自冷式無須外加冷卻。
4. 適用於化學液體循環或輸送製程、電鍍、化工、皮革、染整廢水、廢氣處理等。

Features and benefits

1. The pump is made by injection molding of the FRPP material, which is resistant to acid, alkaline and corrosion resistance with suitable usage temperature below 65°C.
2. Simple structure, easy assembly and repair, integrally molded impeller, long service life and high efficiency.
3. Large flow, High-efficiency, unique shaft seal design, self-cooling design without the need of additional cooling.
4. It is applicable to chemical liquid circulation, or transportation process, electroplating, chemical, leather, dyeing and finishing wastewater and waste gas treatment, etc.

▶ 性能曲線圖 Performance curve graph



▶ 規格表 Specifications

測試介質：清水 / 比重：1.0

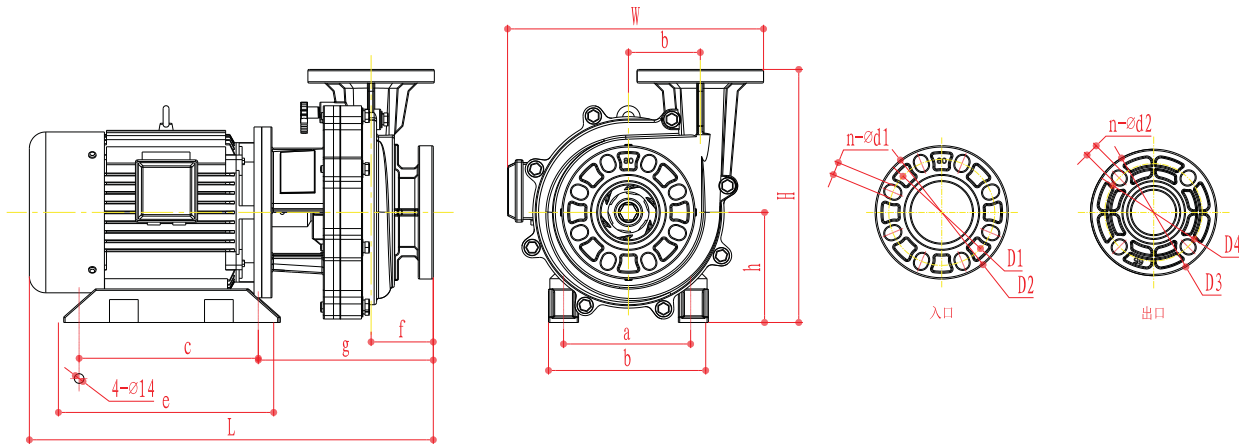
Test medium: Water / Proportion: 1.0

型式Model	口徑 Diameter (In-out)	動力Power			曲線 Curve	50HZ		重量 Weight (kg)
		相數 Phase (Φ)	極數 Pole (P)	馬力 Power (HP)		流量 Capacity (m³/h)	揚程 Head (m)	
NAS 7552	3"x2.5"	3	2	5	a	20.0 50.0 60.0	19.5 13.0 8.0	46.0
NAS 7572	3"x2.5"	3	2	7.5	b	40.0 50.0 60.0	24.0 21.0 17.5	68.0
NAS 75102	3"x2.5"	3	2	10	c	40.0 50.0 60.0	35.0 32.0 29.0	98.0
NAS 100152	4"x3"	3	2	15	d	60.0 80.0 100.0	29.5 27.6 23.0	135.0
NAS 100202	4"x3"	3	2	20	e	60.0 80.0 100.0	32.5 29.5 26.0	145.0

NAS SERIES

非自吸式耐酸鹼泵浦

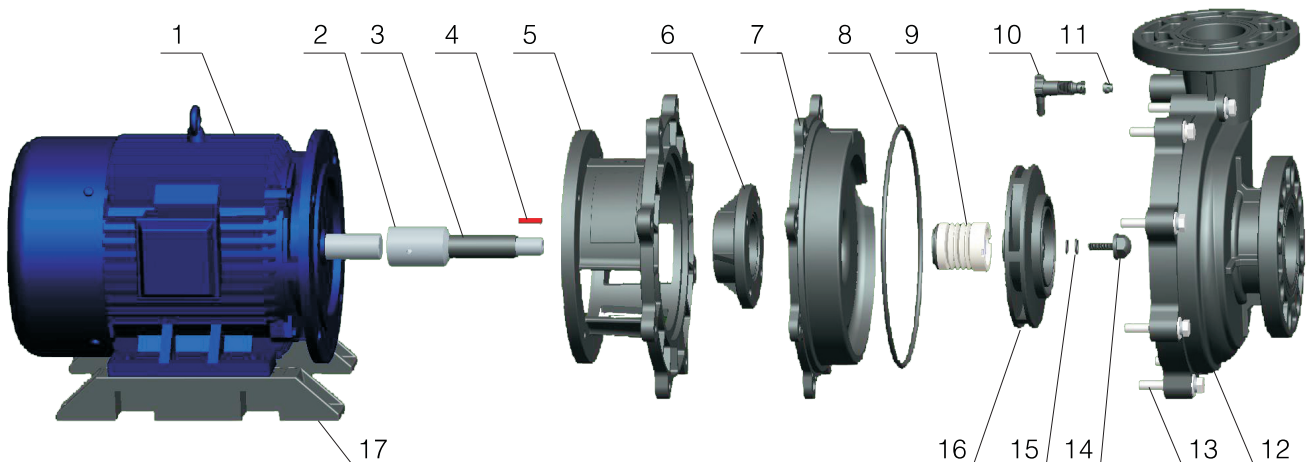
尺寸圖 Dimensions



Unit:mm

型式Model	L	W	H	a	b	c	d	e	f	g	h	D1	D2	n-φd1	D3	D4	n-φd2
NAS 7552	591	375	370	186	105	275	230	320	91	256	161	195	155	8-19x27	185	143	4-19x21.5
NAS 7572	591	440	390	216	105	275	260	320	91	288	181	195	155	8-19x27	185	143	4-19x21.5
NAS 75102	591	470	390	216	105	275	260	320	91	288	181	195	155	8-19x27	185	143	4-19x21.5
NAS 100152	832	470	470	254	125	400	324	460	105	338.5	230	220	177.5	8-19x21.5	200	155	8-19x24
NAS 100202	832	470	470	254	125	400	324	460	105	338.5	230	220	177.5	8-19x21.5	200	155	8-19x24

零件圖表 Parts chart



NO. 名稱 PARTS

1. 電機 Motor
2. 主軸 Main Shaft
3. 膠套筒 Rubber Sleeve
4. 葉輪鍵 Shaft Key
5. 連接座 Connecting Base
6. 後軸封 Rear Shaft Seal

NO. 名稱 PARTS

7. 後封蓋 Rear Casing Cover
8. 前蓋O環 Front Cover O-ring
9. 前軸封 Front Shaft Seal
10. 排氣閥 Exhaust Valve
11. 排氣閥墊片 Exhaust Valve Gasket
12. 一體成型前蓋 Integrated Front Cover

NO. 名稱 PARTS

13. 螺栓 Bolt
14. 葉輪螺帽 Impeller Nut
15. 葉輪螺帽O環 Impeller Nut O-Ring
16. 葉輪 Impeller
17. 腳架 Foot Stand