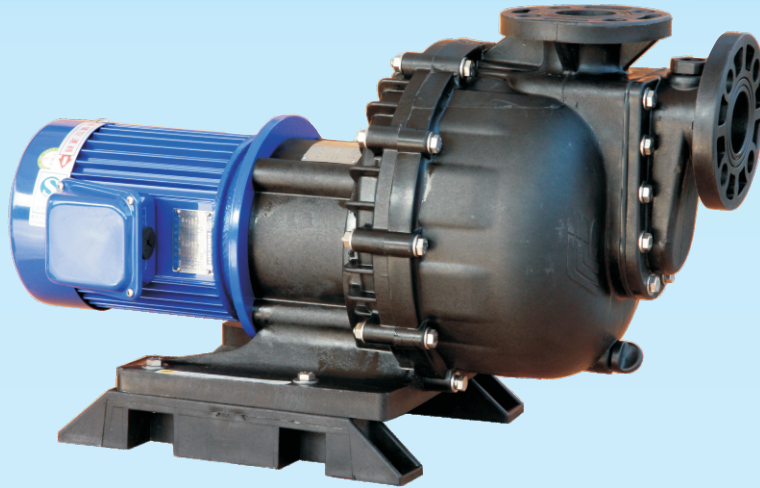




MVKD SERIES

磁力自吸式耐酸鹼泵浦 MAGNETIC SELF-PRIMING PUMP



CAPACITY:3-28m³/h

型號說明 MODEL IDENTIFICATION

MVKD P 50 3 2 C S E 5

1

2

3

4

5

6

7

8

9

1.機型編號 Model

MVKD:磁力自吸泵 Magnetic self-priming pump

2.泵體材質 Pump Body

P-PP(可以省略) F-PVDF E-CFRETFE

3.入口口徑 Inlet Diameter

40-1.5" 50-2"

4.馬力 Power

0-1/2HP 1-1HP 2-2HP 3-3HP 5-5HP

5.極數 Pole

4-4P 2-2P

6.軸芯材質 Spindle

S-SIC(碳化硅) C-CERAMIC(陶瓷)

7.軸承材質 Bearing

S-SIC(碳化硅) C-CARBON(碳素) P-PEEK

8.密封材質 Seal

E-EPDM V-VITON N-NBR

9.頻率 Frequency

5-50HZ 6-60HZ

MVKD SERIES

磁力自吸式耐酸鹼泵浦

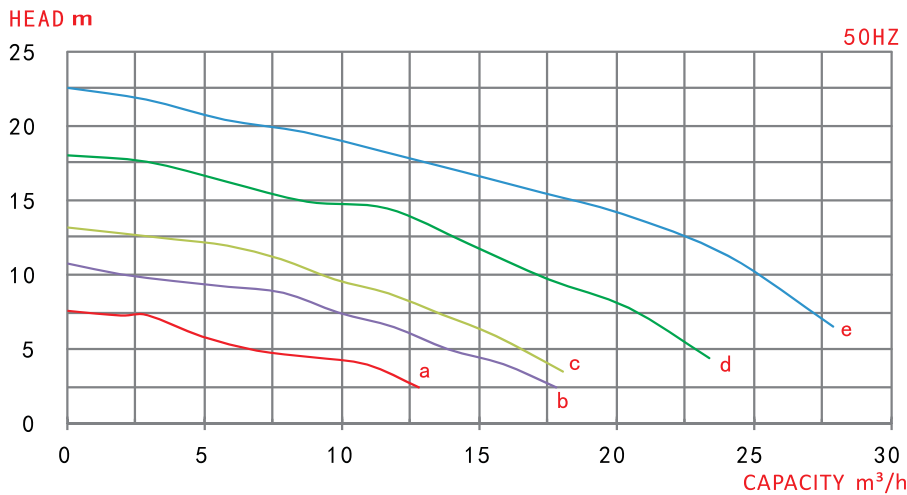
▶ 特點及優點

1. 採用FRPP、PVDF材料射出成型，抗腐蝕性強，依藥液酸鹼度不同選取材質。
2. 適用溫度：FRPP-65°C以下，PVDF-90°C以下。
3. 自吸式設計：自吸力強，併有止回閥設計，防止泵內液體回流。

Features and benefits

1. The pump is made by injection molding of FRPP/PVDF material, which is resistant to corrosion. The material is selected according to the PH value of the liquid.
2. Applicable temperature: Below 65°C for FRPP, below 90°C for PVDF.
3. Self-priming design: Strong self-priming with the check valve design to prevent the backflow of the liquid inside the pump.

▶ 性能曲線圖 Performance curve graph



▶ 規格表 Specifications

測試介質：清水 / 比重：1.0

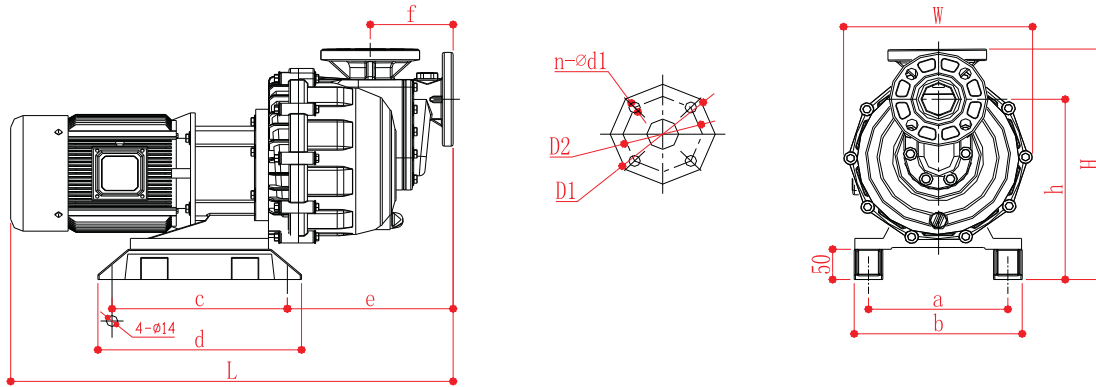
Test medium: Water / Proportion: 1.0

型式Model	□徑 Diameter (In-out)	動力Power			曲線 Curve	50HZ		重量 Weight (kg)
		相數 Phase (Φ)	極數 Pole (P)	馬力 Power (HP)		流量 Capacity (m ³ /h)	揚程 Head (m)	
MVKD 4002	1.5"x1.5"	3	2	0.5	a	3.0 6.3 12.5	7.5 5.0 2.5	26.0
MVKD 4012	1.5"x1.5"	3	2	1	b	6.3 12.5 18.0	7.0 6.0 2.0	28.0
MVKD 5022	2"x2"	3	2	2	c	6.3 12.5 18.0	12.5 8.5 3.5	36.0
MVKD 5032	2"x2"	3	2	3	d	12.5 18.0 24.0	14.0 9.5 4.0	45.0
MVKD 5052	2"x2"	3	2	5	e	12.5 20.0 28.0	19.0 14.0 6.5	71.0

MVKD SERIES

磁力自吸式耐酸鹼泵浦

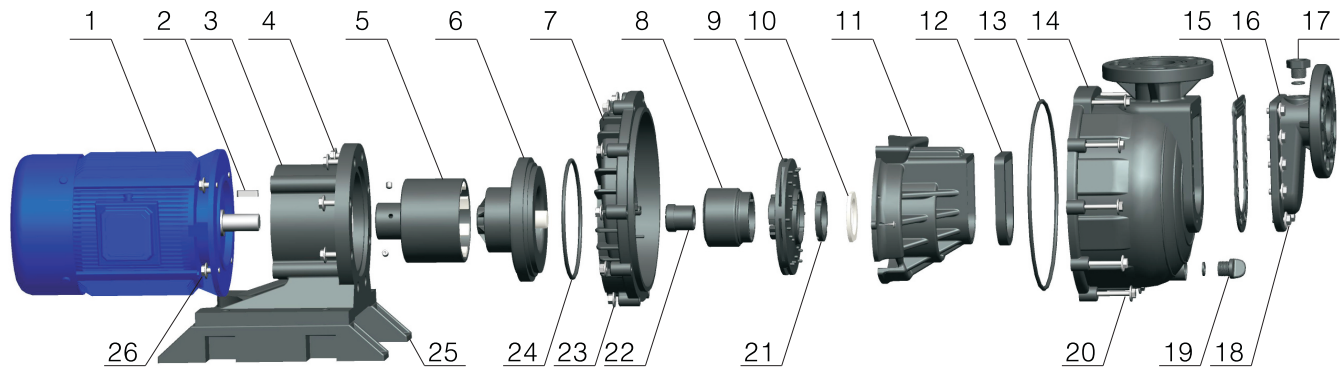
尺寸圖 Dimensions



Unit:mm

型式Model	L	W	H	a	b	c	d	e	f	h	D1	D2	n-d1
MVKD 4002	640	295	370	212	255	275	320	228	130	298	140	105	4-φ19
MVKD 4012	656	295	370	212	255	275	320	228	130	298	140	105	4-φ19
MVKD 5022	665	295	380	212	255	275	320	249	130	298	155	120	4-φ19
MVKD 5032	665	295	380	212	255	275	320	249	130	298	155	120	4-φ19
MVKD 5052	790	295	380	212	255	275	320	249	130	298	155	120	4-φ19

零件圖表 Parts chart



NO. 名稱 PARTS

1. 電機 Motor
2. 葉輪鍵 Shaft Key
3. 腳座 Foot Base
4. 螺絲組 Screw Parts
5. 驅動磁 Drive Magnetic
6. 後蓋 Rear Cover
7. 後封蓋 Rear Casing Cover
8. 內磁 Inner Magnetic
9. 葉輪 Impeller

NO. 名稱 PARTS

10. 耐磨片 Mouth Ring
11. 中封蓋 Intermediate Casing Cover
12. 單向閥 One-way Valve
13. 封蓋O環 Rear Casing Cover O-ring
14. 主體 Main Body
15. 自吸筒墊片 Self-priming Cylinder Gasket
16. 自吸筒 Self-priming Cylinder
17. 注水蓋 Water Filling Nut
18. 螺絲 Screw

NO. 名稱 PARTS

19. 排水閥 Drain Nut
20. 螺絲 Screw
21. 止推環 Thrust Ring
22. 軸承 Bearing
23. 螺絲 Screw
24. O環 O-Ring
25. 腳架 Foot Stand
26. 螺絲 Screw